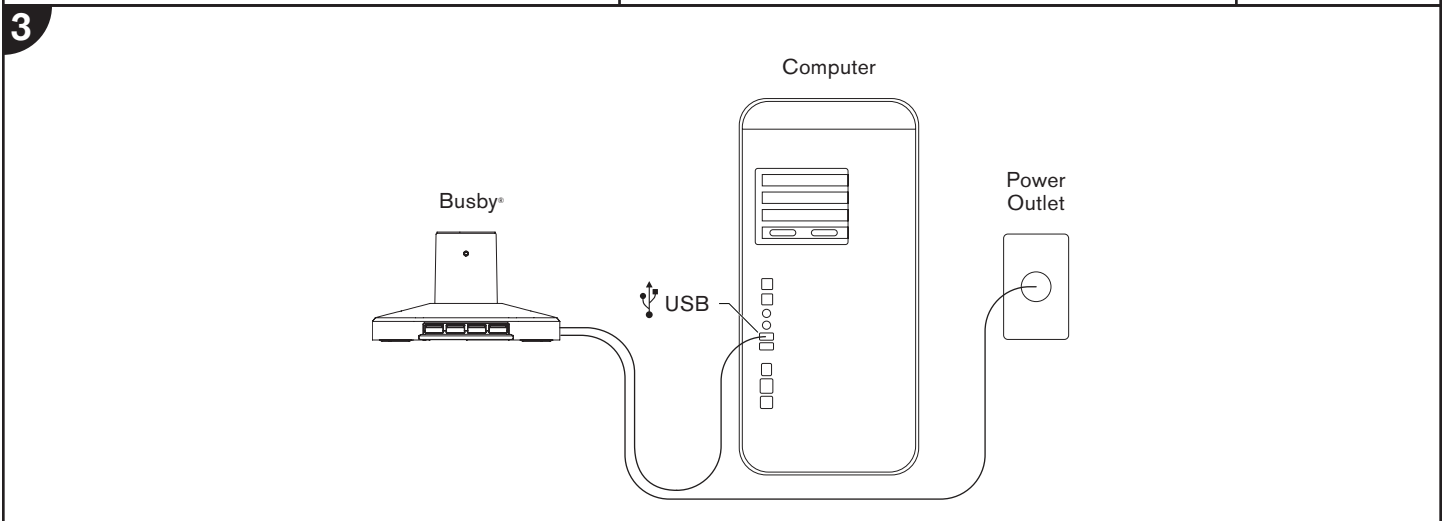
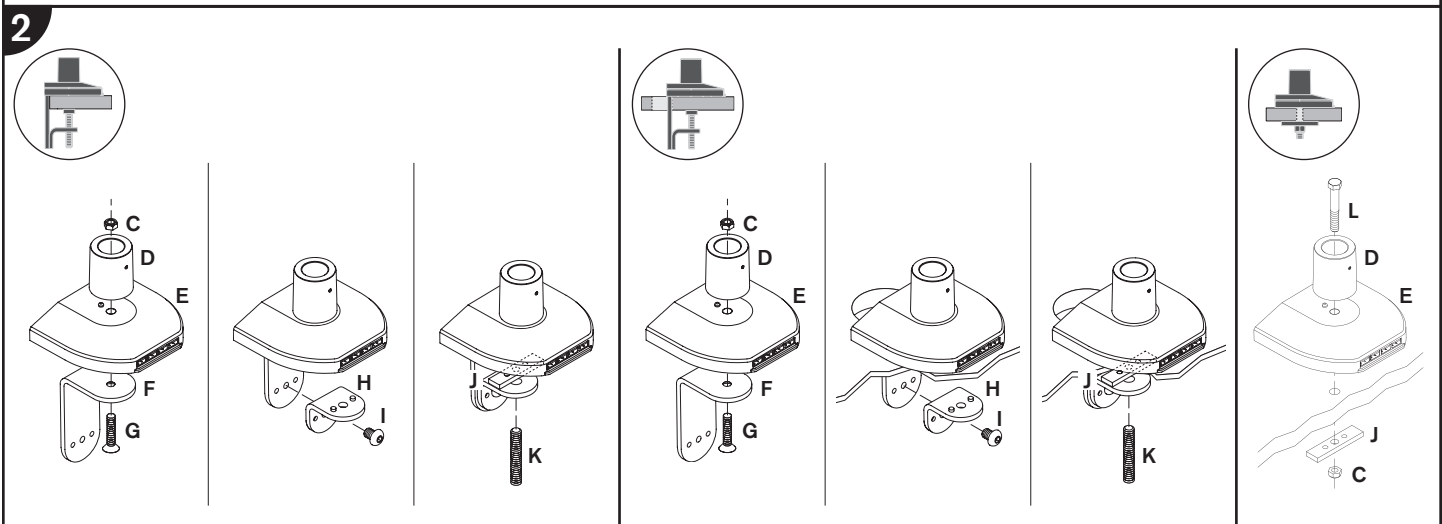
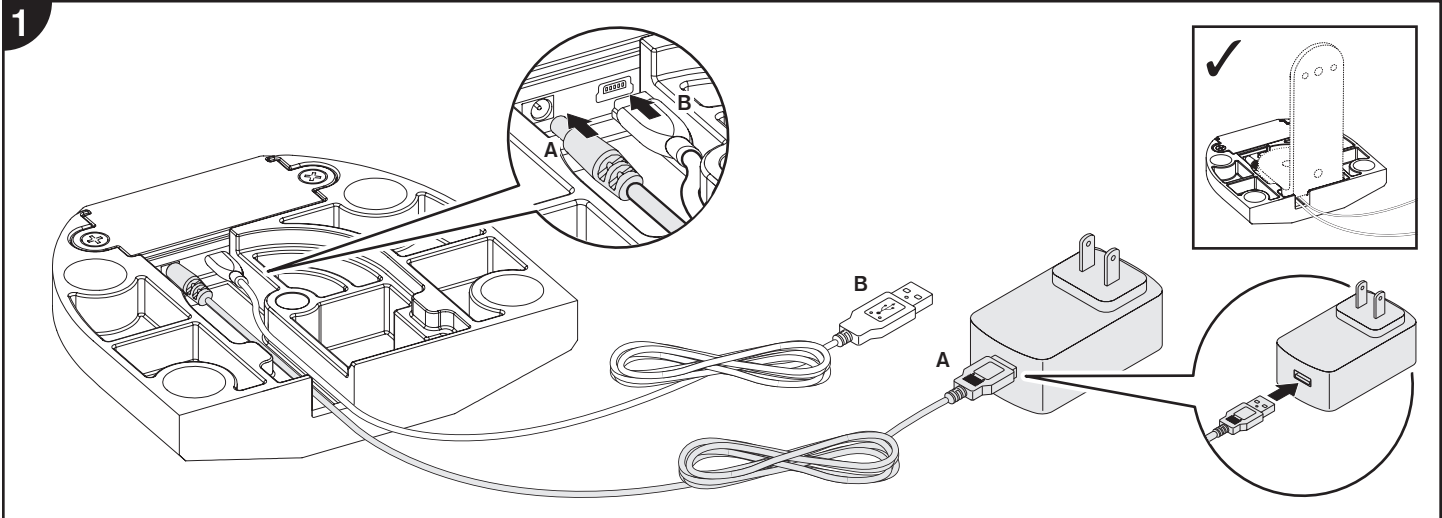
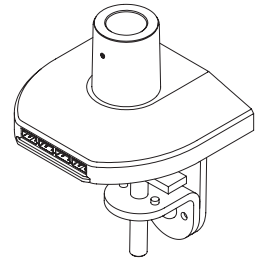


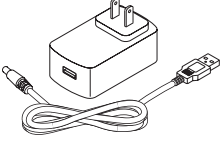

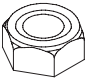


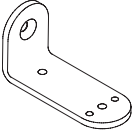
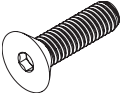
BUSBY® 8451

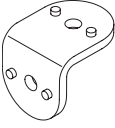
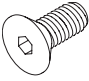
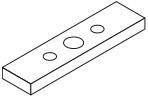
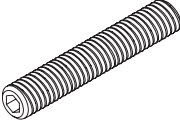
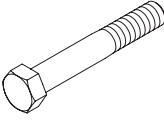
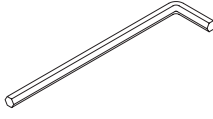

Installation Instructions



BUSBY® 8451

Parts List

| ITEM | DESCRIPTION / PART NO. | QUANTITY |
|------|---|----------|
| A |  Power Cord & Adapter 710884 | 1 |
| B |  USB Data Cable 710600 | 1 |
| C |  3/8-16 Nylon Stop Nut 701418 | 1 |
| D |  Mount Column 401328 | 1 |
| E |  Busby® Base Plate 410732 | 1 |
| F |  Large "L" Bracket 702828 | 1 |
| G |  3/8-16 x 1-3/4" Flat Socket Cap Screw 710644 | 1 |

| ITEM | DESCRIPTION / PART NO. | QUANTITY |
|------|---|----------|
| H |  Small "L" Bracket 111728 | 1 |
| I |  3/8-16 x 1/2" Flat Socket Cap Screw 702898 | 1 |
| J |  Rectangular Spacer 701544 | 1 |
| K |  1/2-13 x 3" Socket Set Screw 701126 | 1 |
| L |  3/8-16 x 3" Hex Head Bolt 701964 | 1 |
| M |  7/32" Allen Wrench 701127 | 1 |
| N |  3/32" Allen Wrench 700146 | 1 |