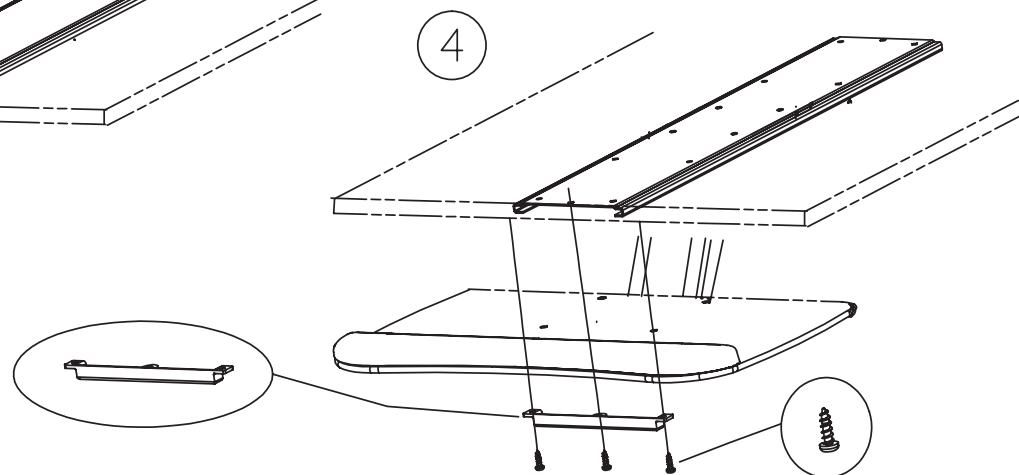
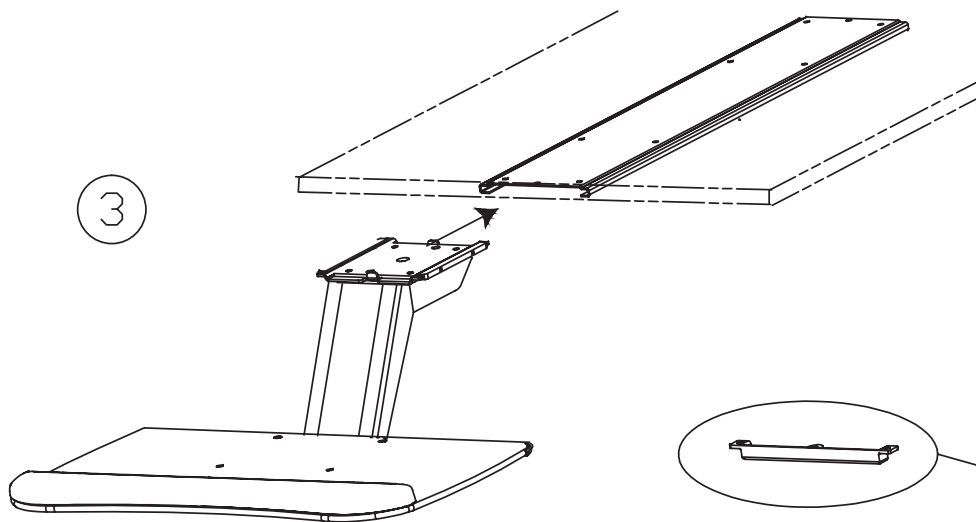
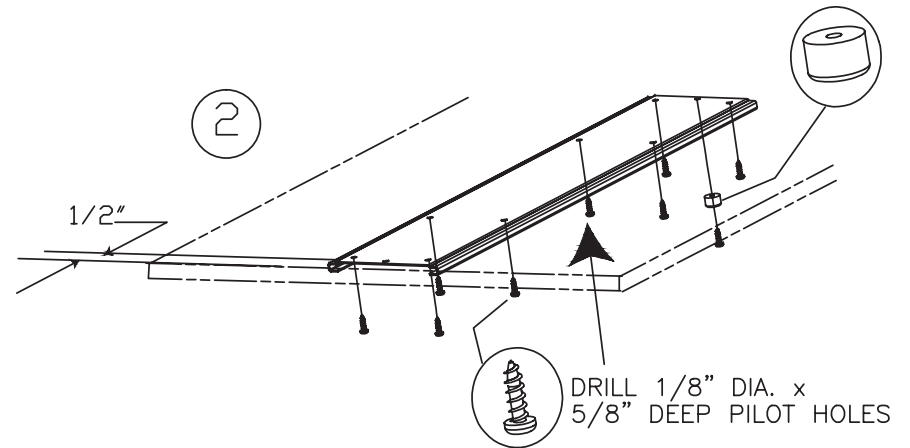
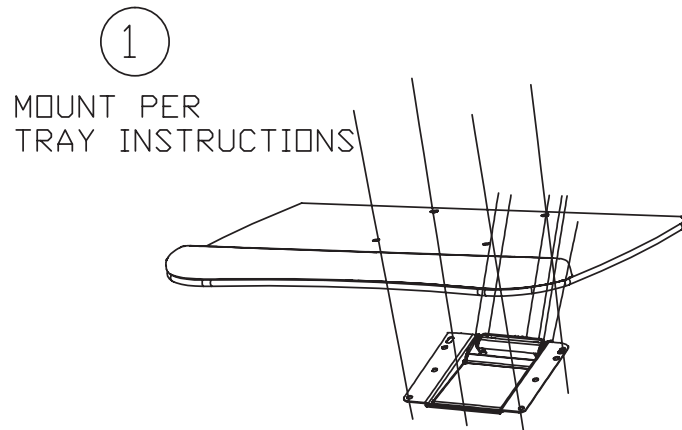


Hardware Included:
 (20) 10-11 Screws
 (1) Bumper
 (1) Track Guard

Tools Needed:
 Phillips Head Screwdriver
 1/8" Drill Bit



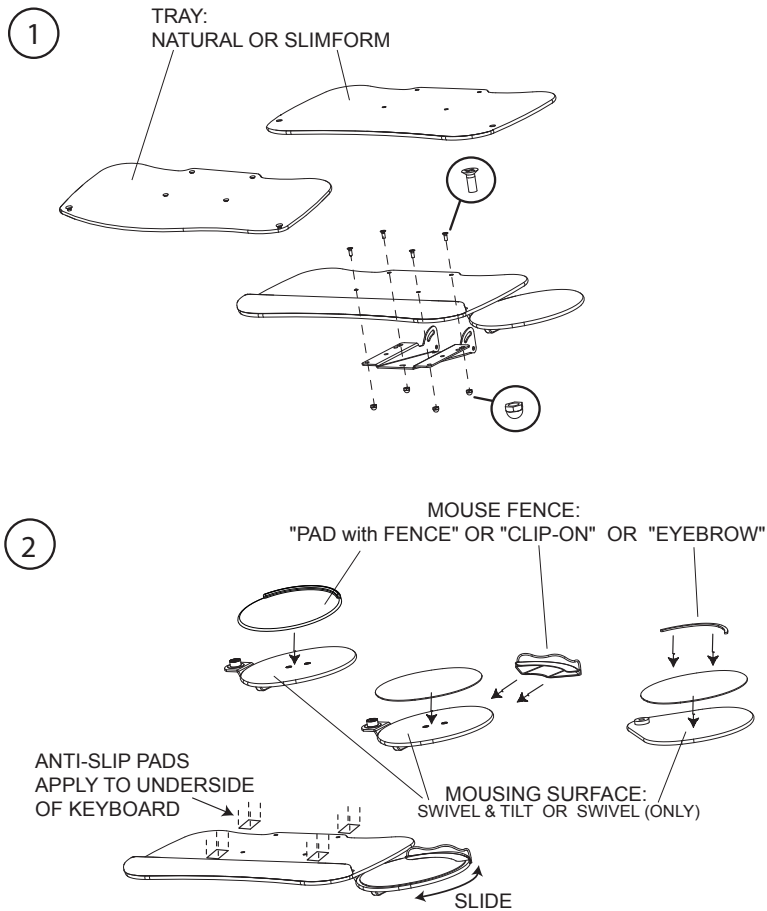
Hardware Included:

- (4) Acorn Nuts
- (4) Screws
- (4) Anti-Slip Keyboard Pads
- (1) Mouse Pad *
- (1) Mouse Catcher *
- * - only with Mouse Set

Tools Needed:

- Phillips Head Screwdriver
- Wrench
- Allen Wrench

RIGHT HAND MOUSE



LEFT HAND MOUSE

