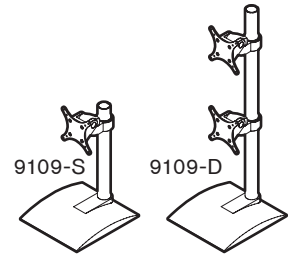


MODEL 9109

Installation Instructions


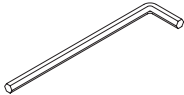
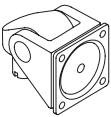




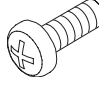
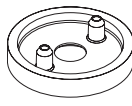

<p>1</p>	<p>2</p>	<p>3</p>
<p>4</p>	<p>5</p>	<p>6</p>
<p>7</p>	<p>8</p>	<p>9</p>

* Some monitors may require a spacer hardware kit. See page 2 for details.

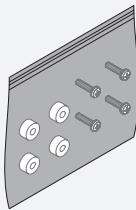
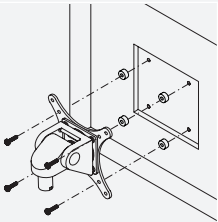
MODEL 9109

Parts List

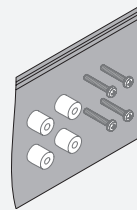
ITEM	DESCRIPTION / PART NO.	QUANTITY	
		Model#	Model#
		9109-S	9109-D
A	Bumper 712796	4	4
			
B	7/32" Allen Wrench 701127	1	1
			
C	Monitor Tilter 405397	1	2
			
D	75mm/100mm VESA® Adapter 105587	1	2
			

ITEM	DESCRIPTION / PART NO.	QUANTITY	
		Model#	Model#
		9109-S	9109-D
E	10-32 x 3/8" Phillips Flat Head Screw 702281	1 (4-pack)	2 (4-pack)
			
F	M4-12 Phillips Pan Head Screw 702096	1 (4-pack)	2 (4-pack)
			
G	Dog Washer 105189	1	2
			
H	10-32 x 3/8" FPhMS w/Lock Patch 705198	1	2
			

OPTIONAL SPACER KITS In some cases, the mounting surface on your monitor may be recessed further than permitted by VESA® standards. As a result, a spacer kit may be required.



.25" Spacer Hardware Kit
 (4) .25" Spacers
 (4) M4 x 18mm Phillips Pan Head Screws
 Order # P404923-B



.5" Spacer Hardware Kit
 (4) .5" Spacers
 (4) M4 x 25mm Phillips Pan Head Screws
 Order # P404923-C