

WINSTON DESK®

The Winston Desk is an ultra easy sit-stand solution. Designed with an upper display surface and lower, retractable keyboard and mouse desk. Winston Desk features a gas-assisted lift mechanism that lets you switch easily between sitting and standing in just a few seconds. It also holds up to 35 lbs, while staying steady and solid at any height. Winston Desk ships fully assembled and ready-to-use – just put it right on top of your current desk, and you're ready to work.



WNST-DESKCR-36



WNST-DESK-42



Retractable lower work surface.



Single handle design for easy transitions from sitting to standing.



Winston Desk Corner is ideal for cubicle corners or L-shaped desks.

FEATURES

- Lower work surface retracts to allow for a comfortable position.
- Single-handle design puts effortless operation at your fingertips.
- Gas-assisted lifting mechanism allows you to raise and lower easily in just a few seconds.
- Extremely solid base ensures a sturdy and stable work surface at any height.
- Ships fully assembled, no installation required.
- Upper desk surface has a .5" bolt-thru hole for mounting an optional monitor arm.

AVAILABLE MODELS

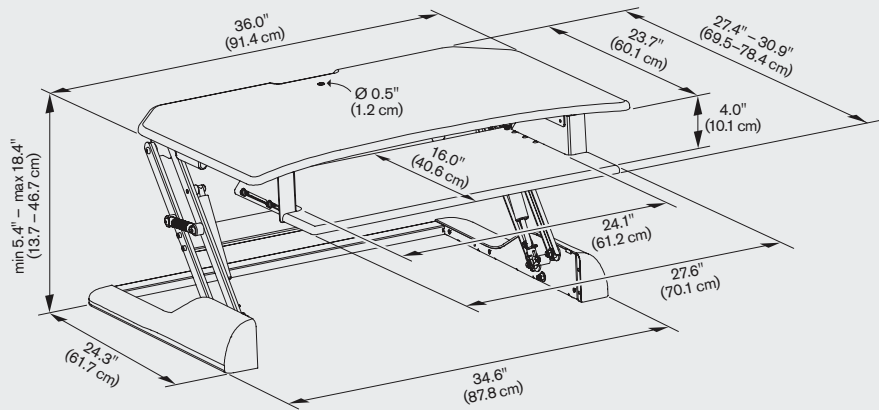
Model	Width	Weight Capacity
WNST-DESKCR-36 (corner desk)	36"	Supports up to 35 lbs (15.8 kg)
WNST-DESK-42	42"	Supports up to 35 lbs (15.8 kg)

FINISHES

 BLACK | color code: **BLK**

CAPABILITIES

WINSTON DESK® CORNER - 36"



Base dimensions: 34.6" wide x 24.3" deep

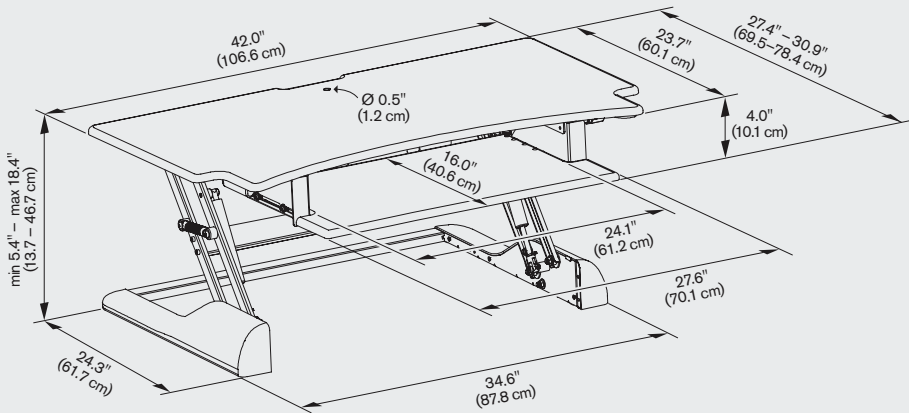
Desktop dimensions: 36.0" wide x 27.4" - 30.9" deep

Desktop height adjustment range: 5.4" to 18.4"

Desktop thickness: 0.6" (minimum 1.5" off desk)

Weight capacity: Up to 35 lbs

WINSTON DESK® - 42"



Base dimensions: 34.6" wide x 24.3" deep

Desktop dimensions: 42.0" wide x 27.4" - 30.9" deep

Desktop height adjustment range: 5.4" to 18.4"

Desktop thickness: 0.6" (minimum 1.5" off desk)

Weight capacity: Up to 35 lbs