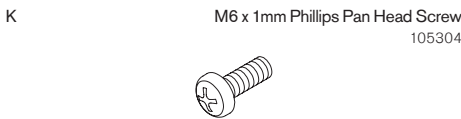
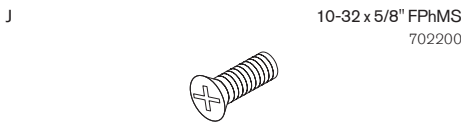
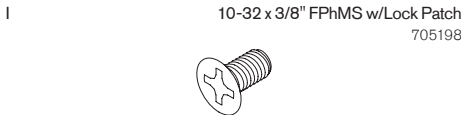
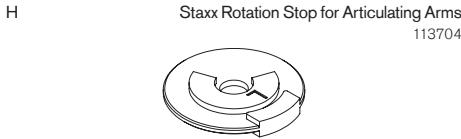
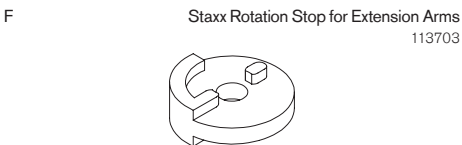
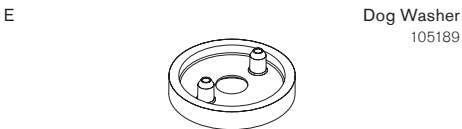
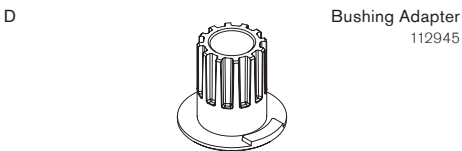
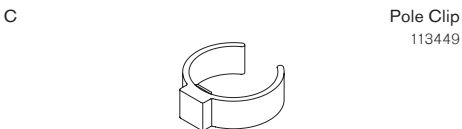
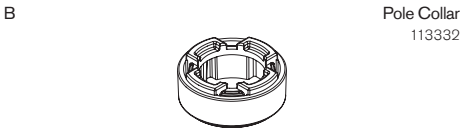
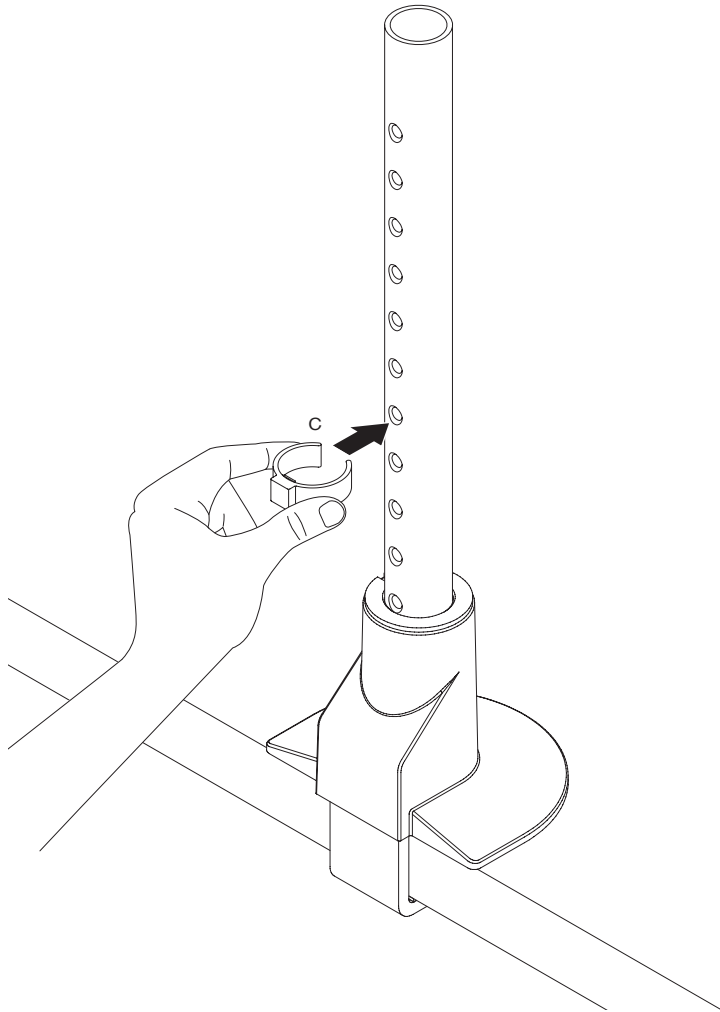


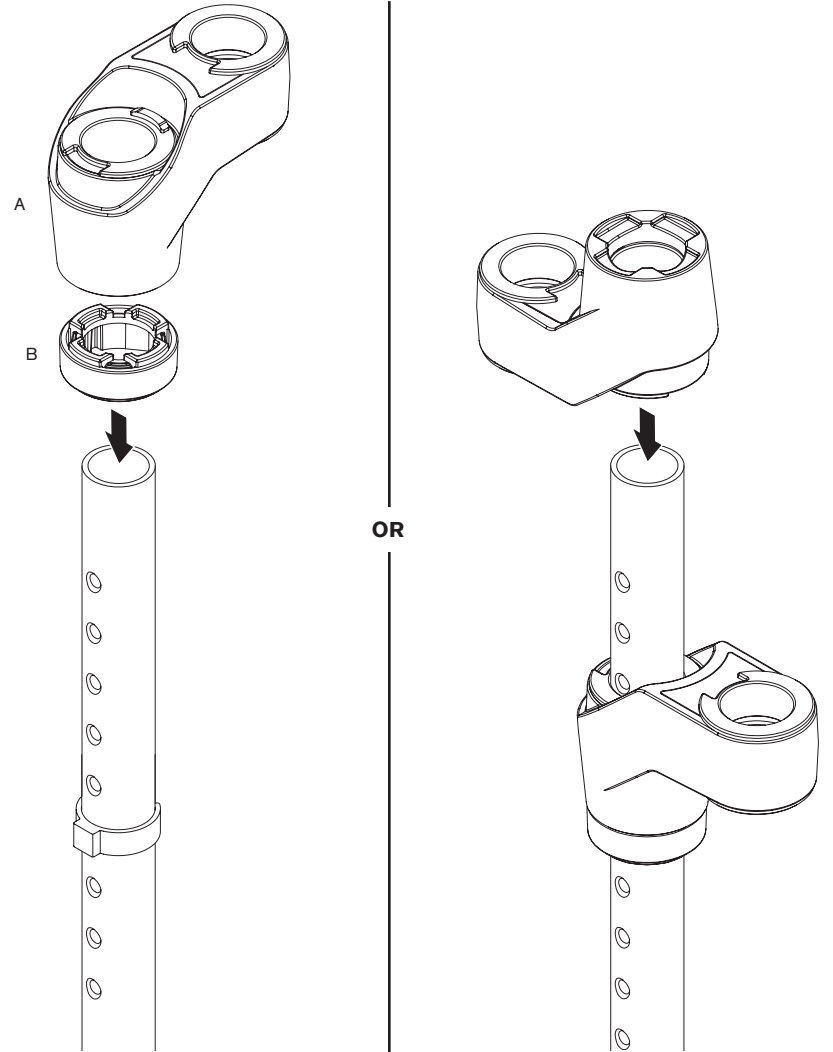
**STX-NM**



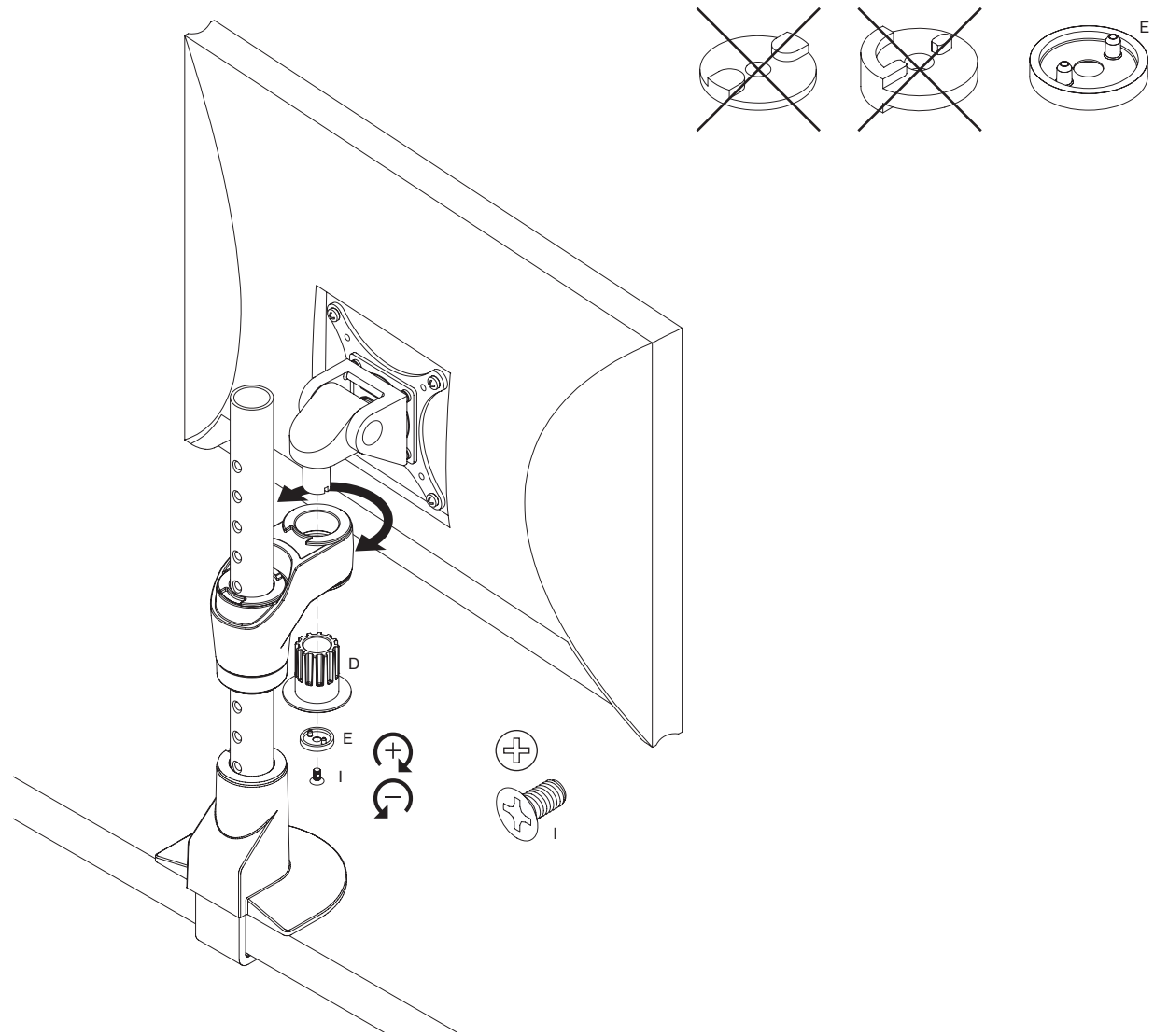
1



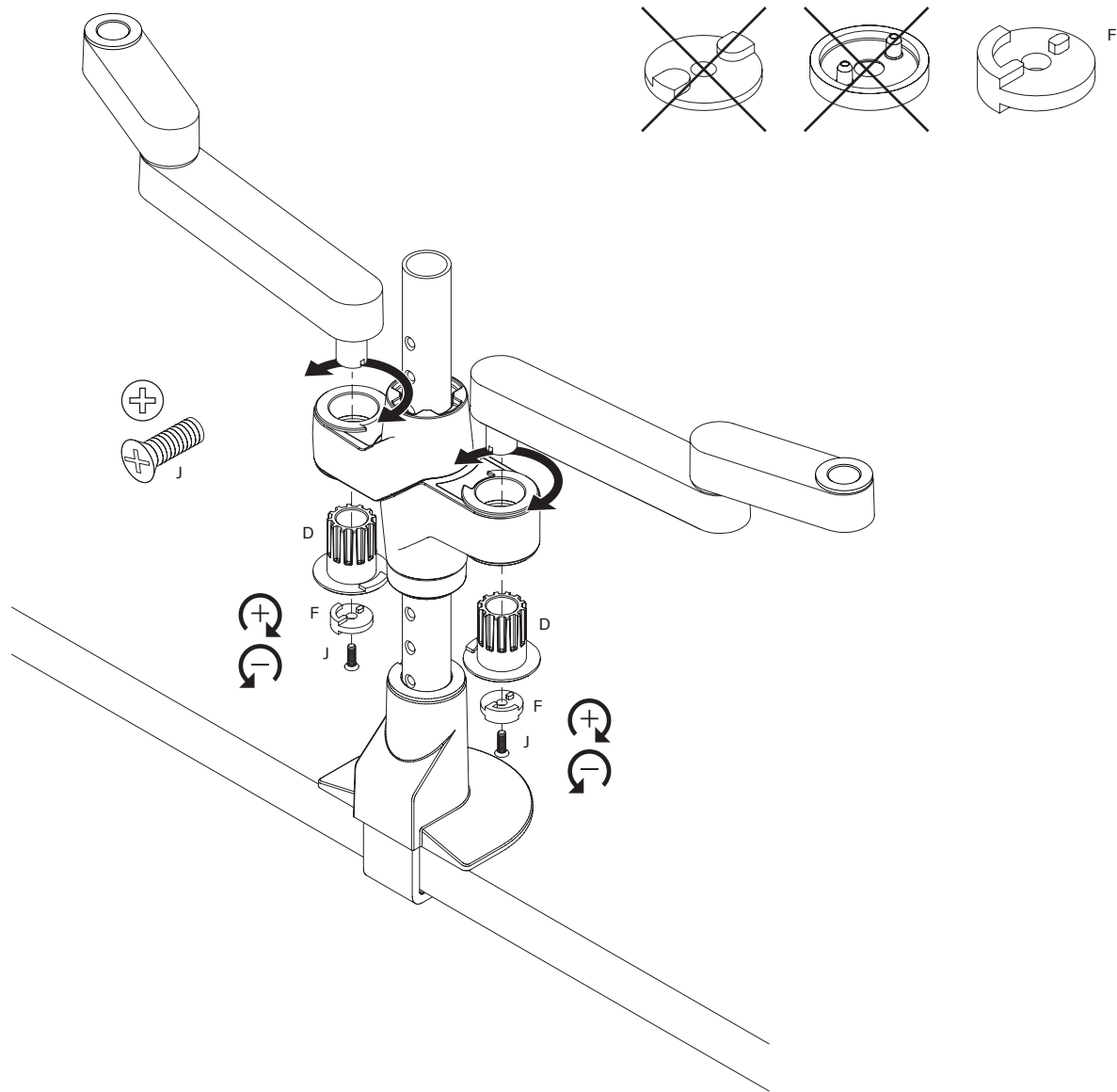
2



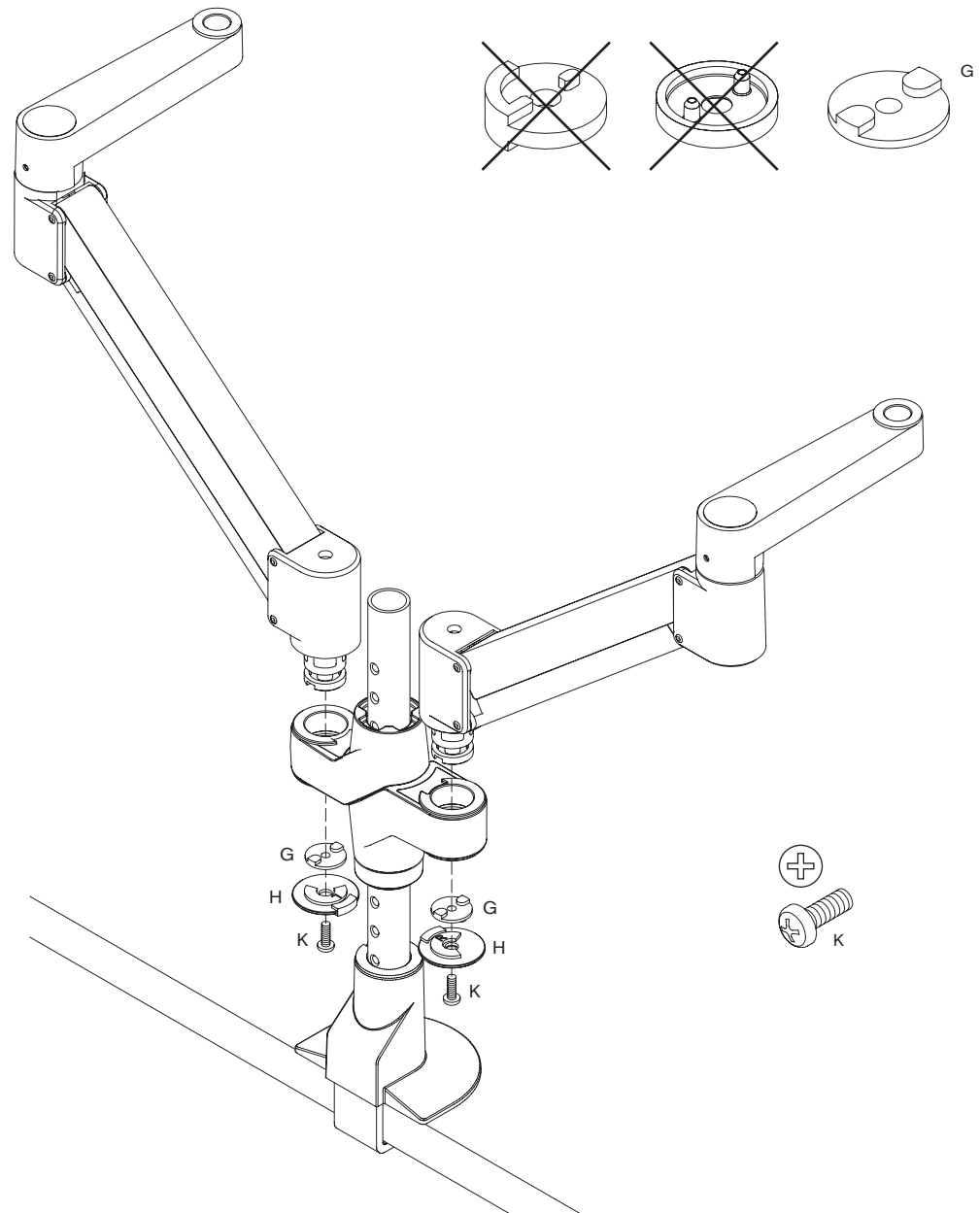
3a



**i** **IMPORTANT:** Install part (F) in the orientation as shown to the right. When washer, part (F), is installed correctly, the lower extension arms will not rotate past the back of the mount.



3c



**i** **IMPORTANT:** Install part (H) in the orientation as shown to the right. When washer, part (H), is installed correctly, the arms will not rotate past the back of the mount.