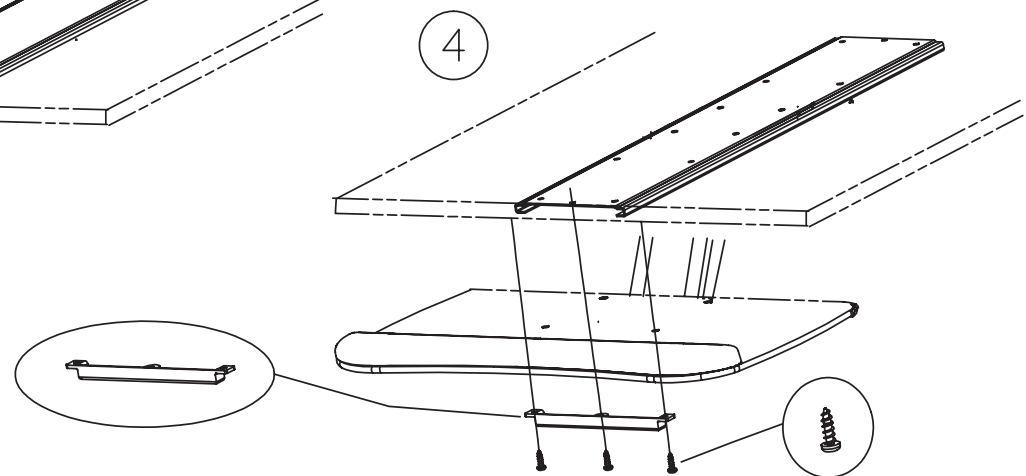
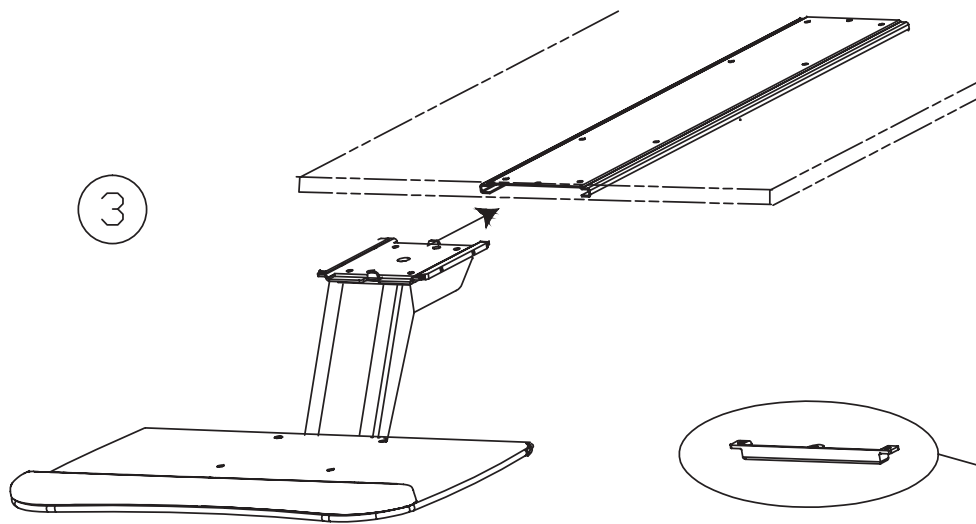
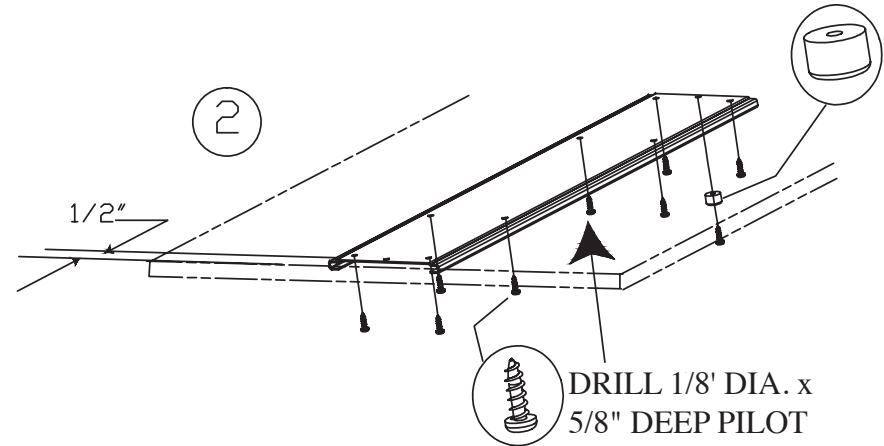
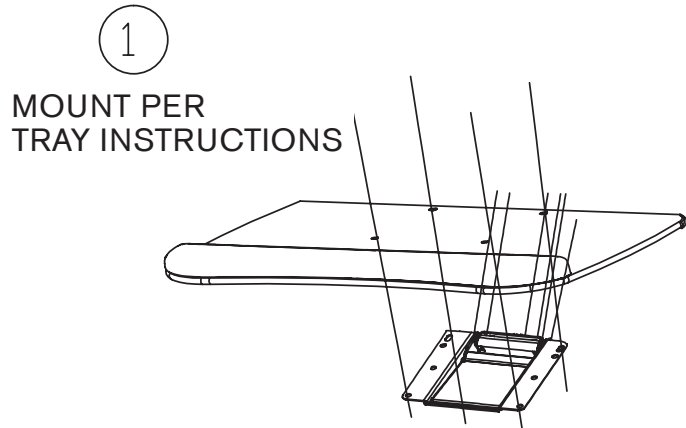


Hardware Included:  
(20) 10-11 Screws  
(1) Bumper  
(1) Track Guard

Tools Needed:  
Phillips Head Screwdriver  
1/8" Drill Bit



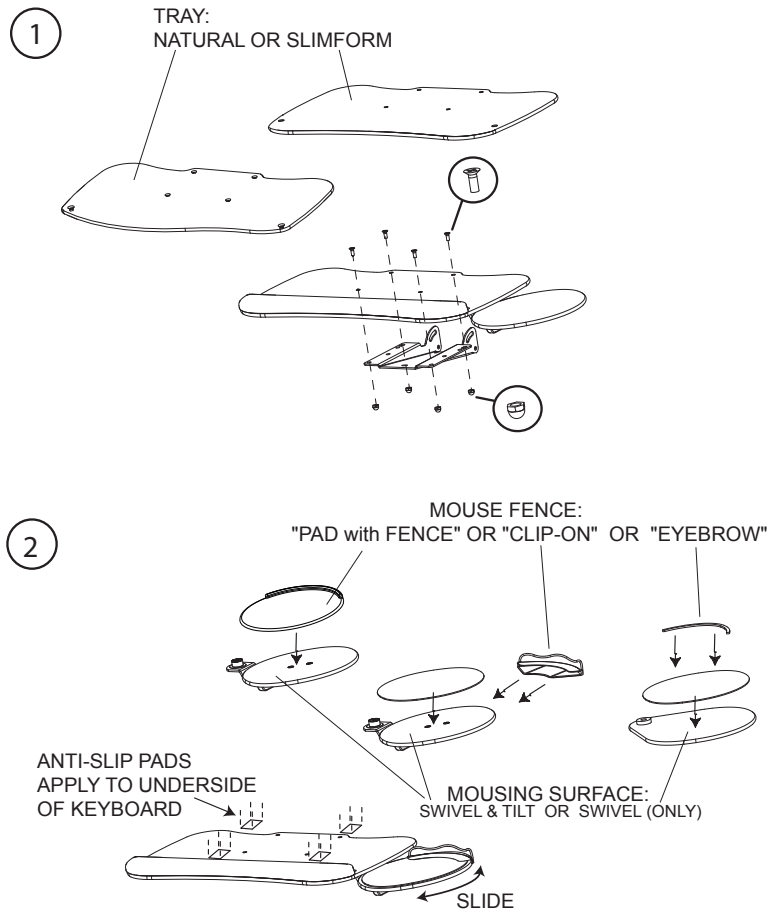
**Hardware Included:**

- (4) Acorn Nuts
- (4) Screws
- (4) Anti-Slip Keyboard Pads
- (1) Mouse Pad \*
- (1) Mouse Catcher \*
- \* - only with Mouse Set

**Tools Needed:**

- Phillips Head Screwdriver
- Wrench
- Allen Wrench

**RIGHT HAND MOUSE**



**LEFT HAND MOUSE**

