

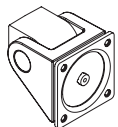
CAUTION

Mechanism can rise quickly with no equipment in place. User equipment must be properly installed, prior to height adjustment. Failure to do so may result in personal injury and/or property damage.

Model 8521

Parts List

A Monitor Tilter 1x
414291



B M6 x 12mm Screw 1x
713217



C 10-32 x 3/8" PhPHS (4-pack) 1x
702281



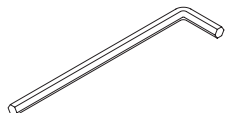
D 75/100 mm VESA Adapter 1x
105587



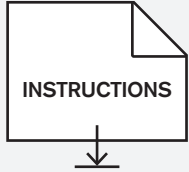
E M4 x 12 mm PhPHS (4-pack) 1x
702096



F 7/32" Allen Wrench 1x
701127

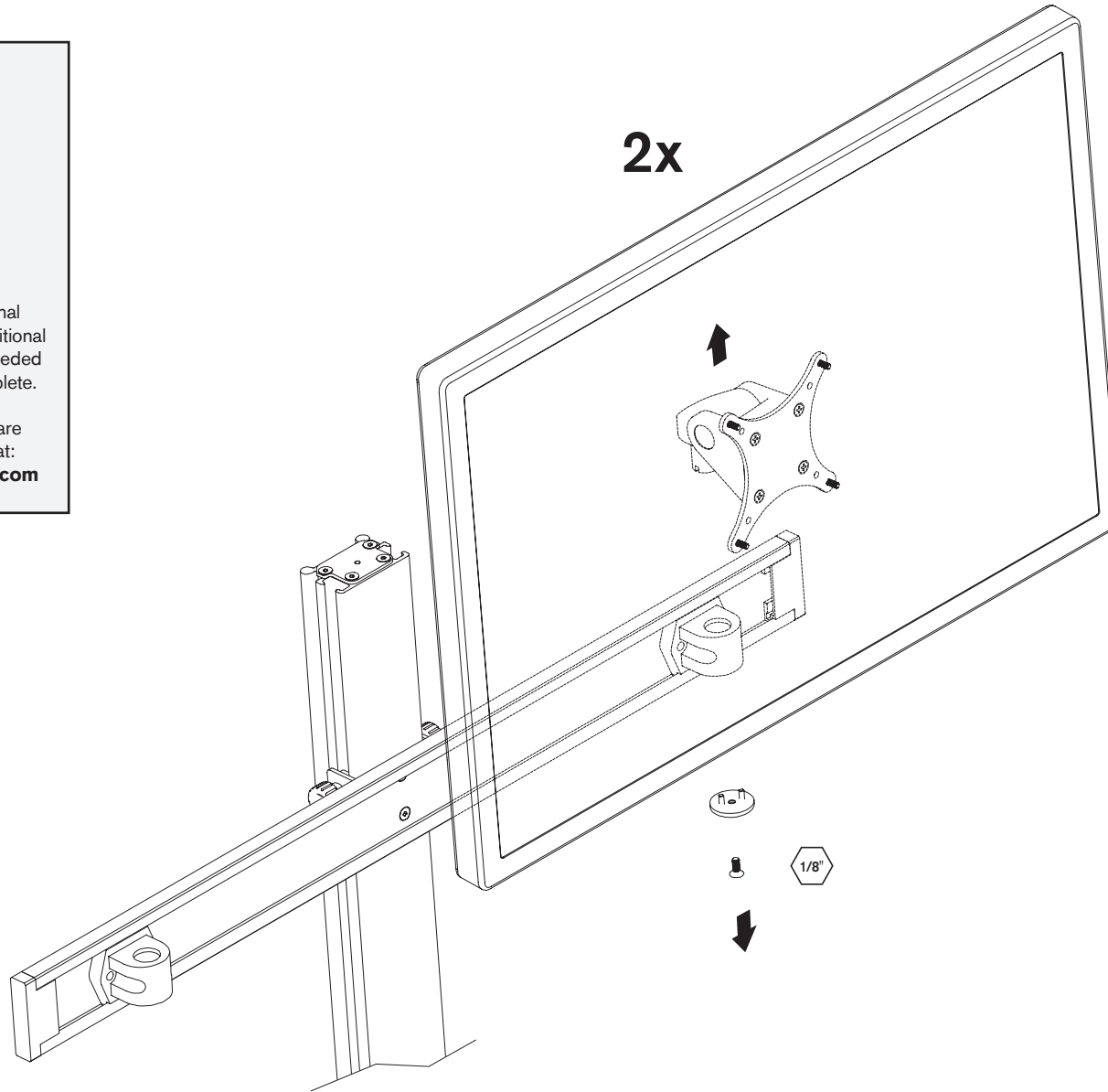


1

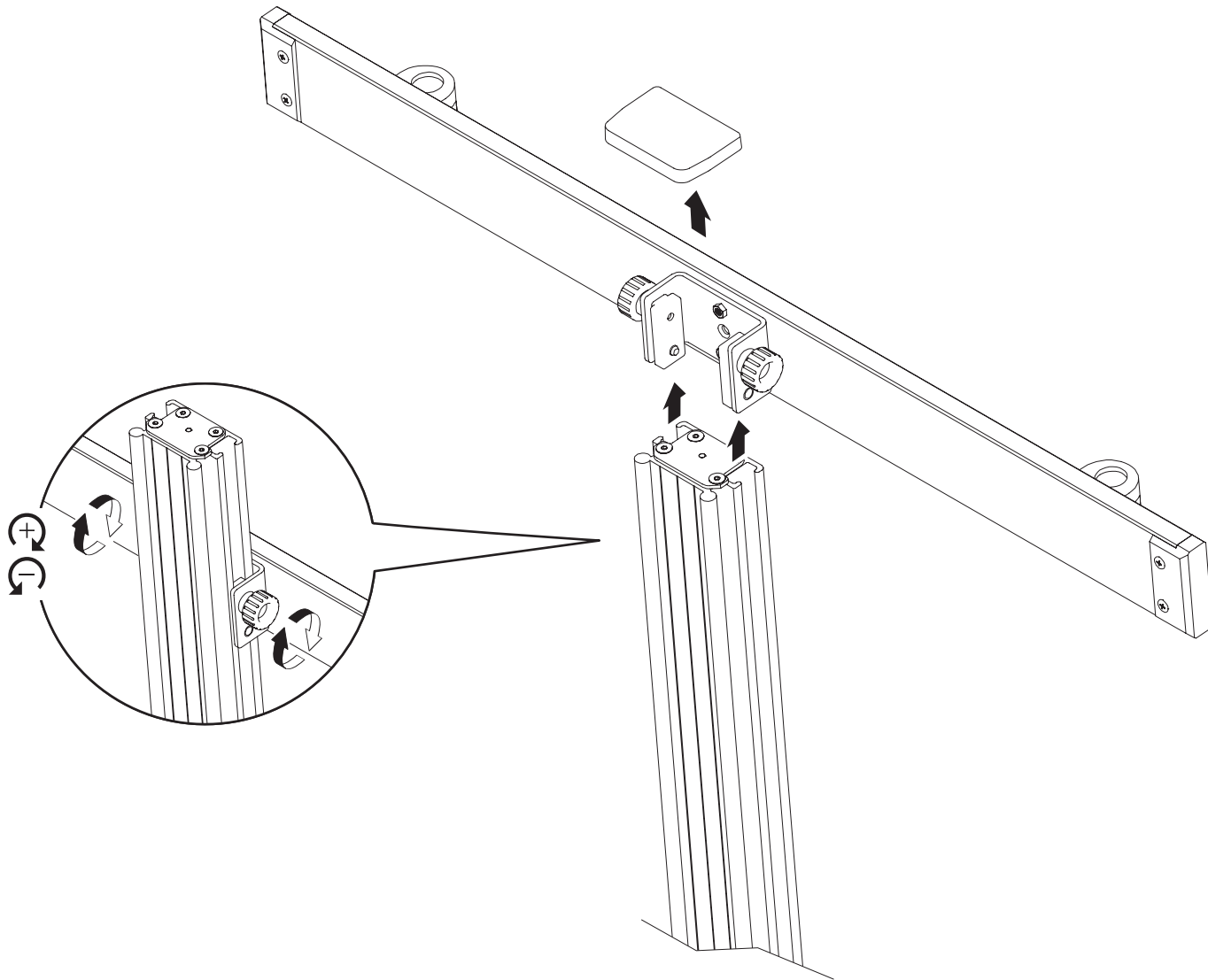


Please refer to your original product instructions for additional adjustments that may be needed after this assembly is complete.

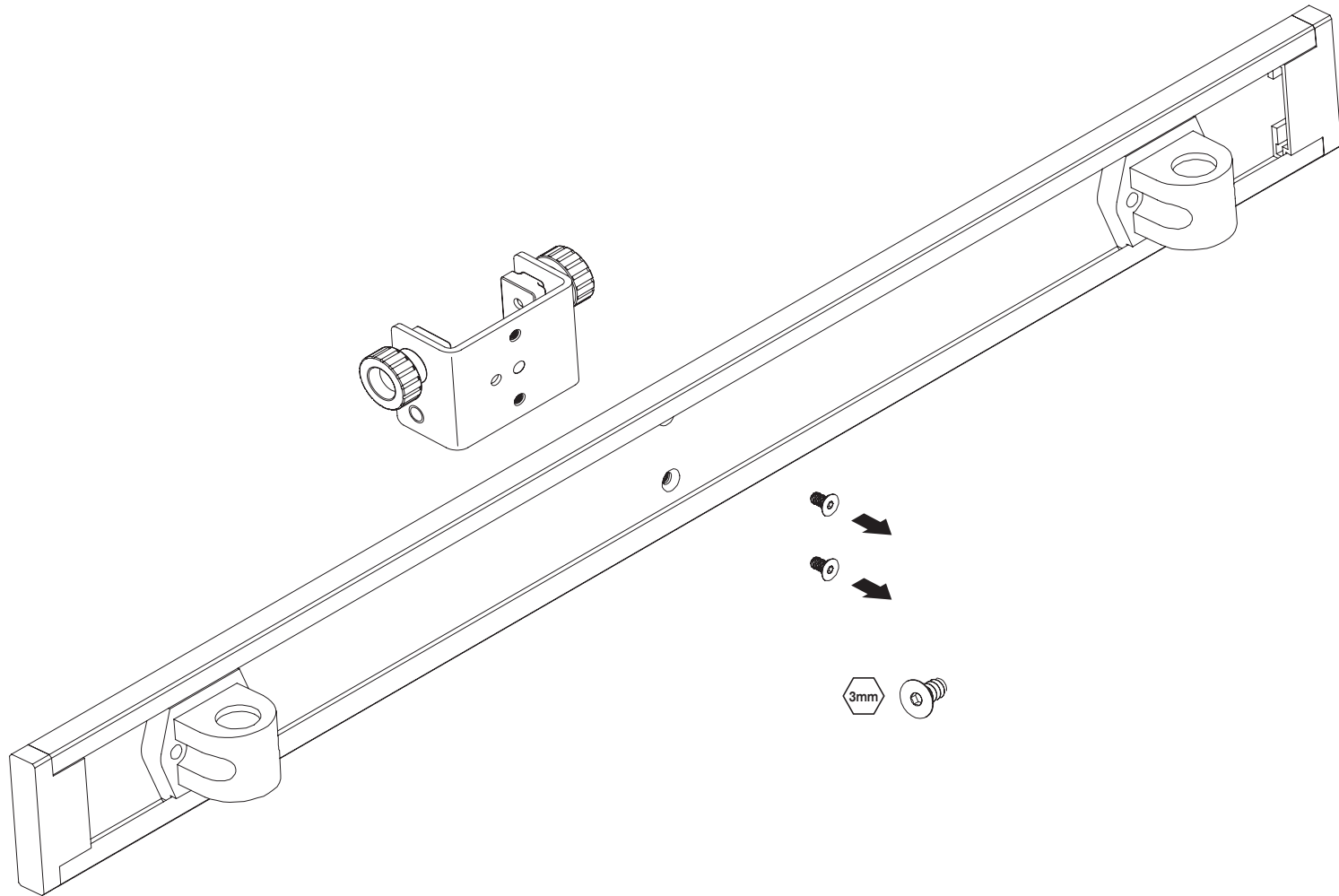
All product instructions are available for download at:
InnovativeWorkspaces.com



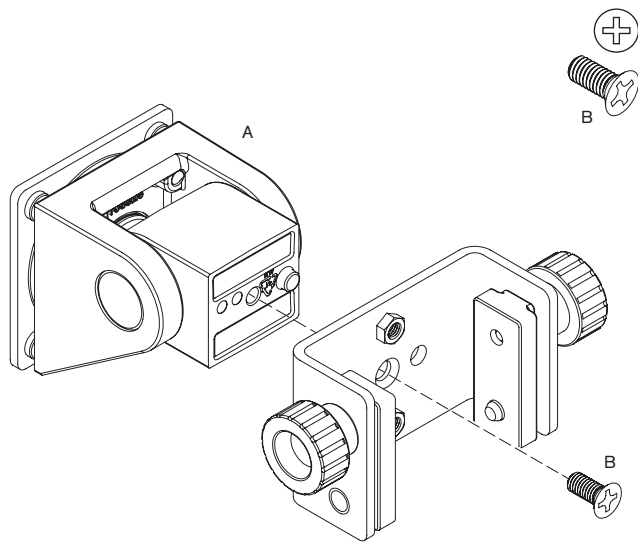
2



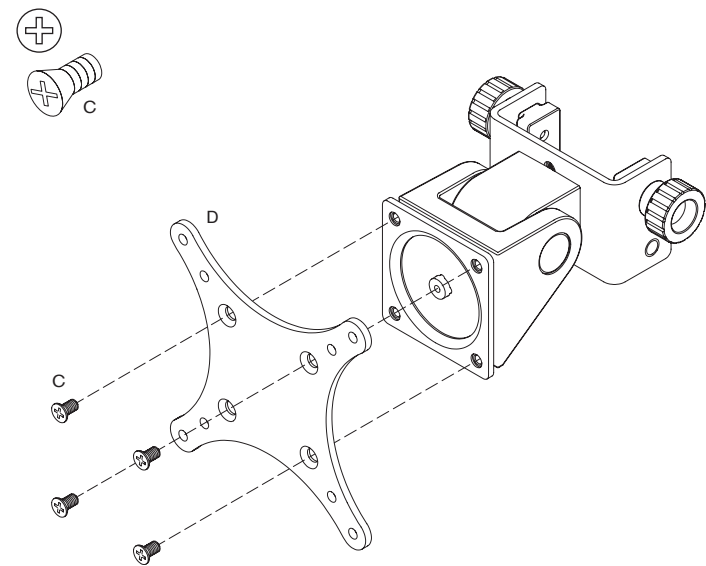
3



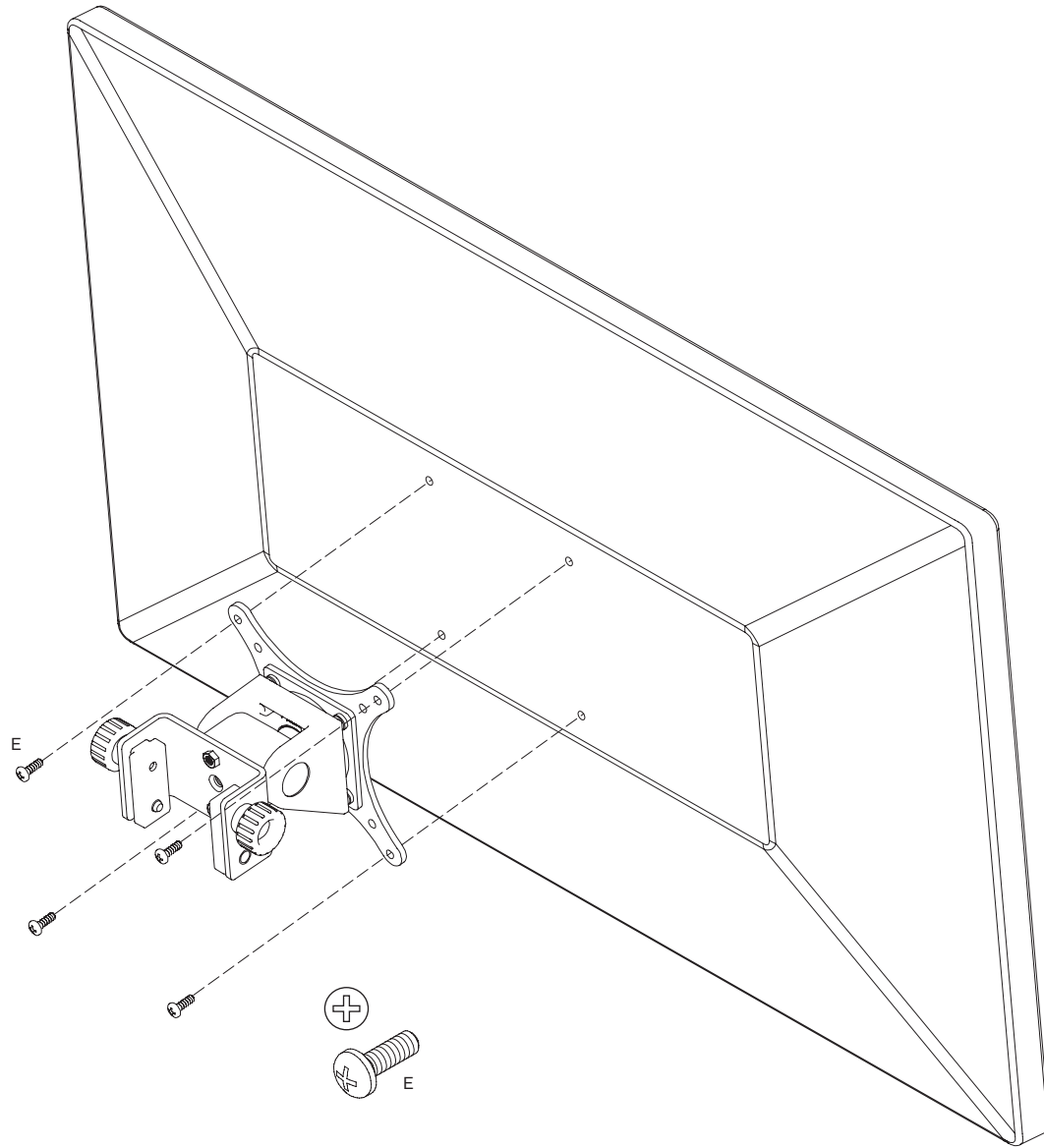
4



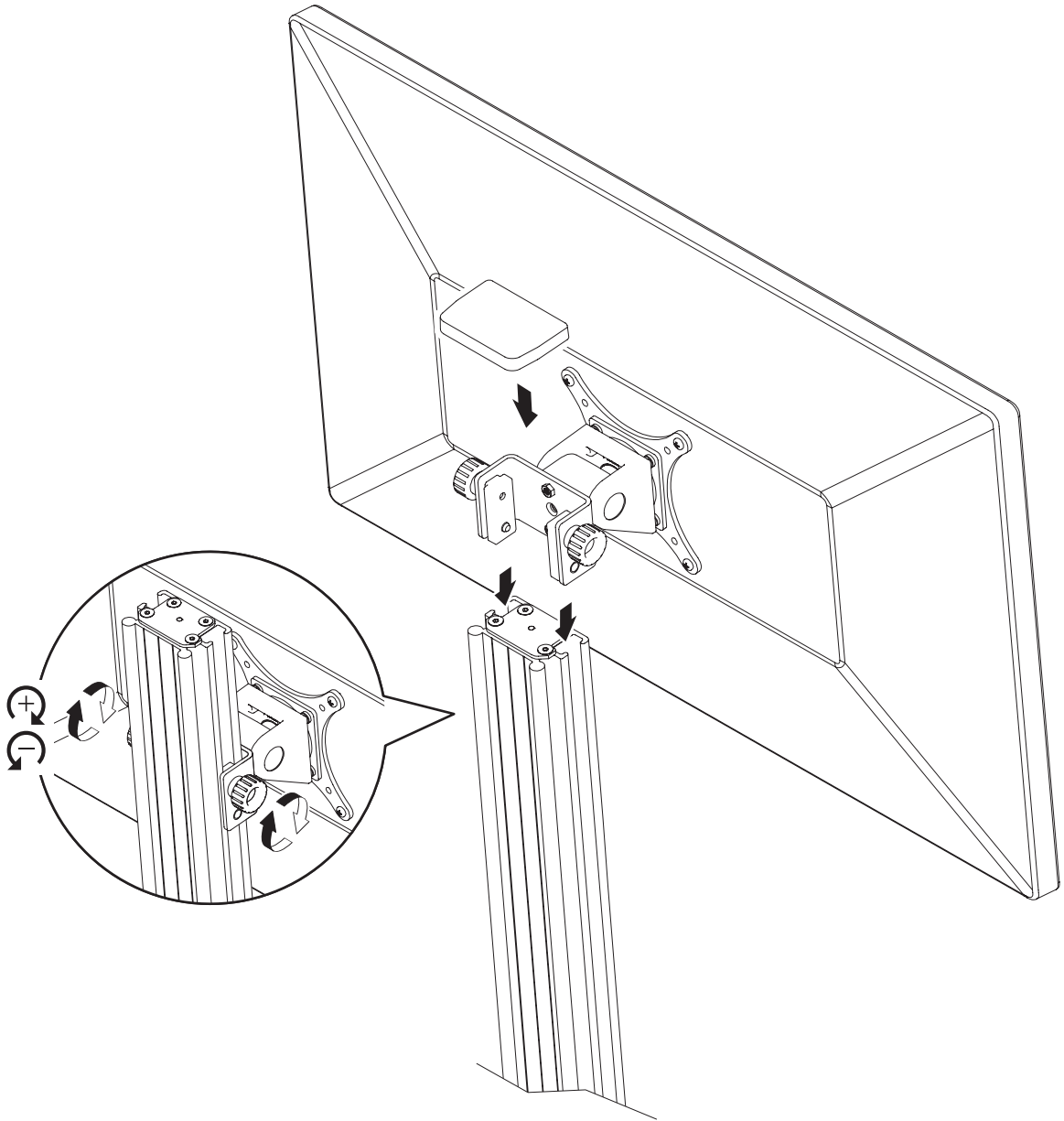
5



6



7



8

