

CAUTION

Mechanism can rise quickly with no equipment in place. User equipment must be properly installed, prior to height adjustment. Failure to do so may result in personal injury and/or property damage.

Model 8520

Parts List

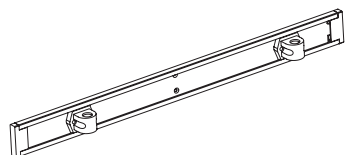
A 3mm Allen Wrench 1x
701313



B M5 x 10 mm Screws 2x
713966



C Horizontal Beam 1x
414818



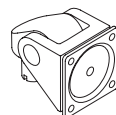
D 10-32 x 3/8" PhPHS (4-pack) 2x
702281



E 75/100 mm VESA Adapter 2x
105587



F Standard Monitor Tilter 2x
405397



G M4 x 12 mm PhPHS (4-pack) 2x
702096



H Dog Washer 2x
111230-603



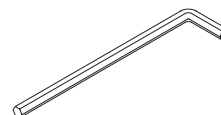
I 10-32 x 1/2" FHSCS 2x
711240



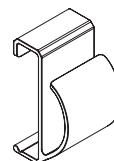
J 1/8" Allen Wrench 1x
701312



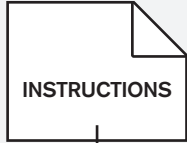
K 7/32" Allen Wrench 1x
701127



L Cable Clip 2x
112082

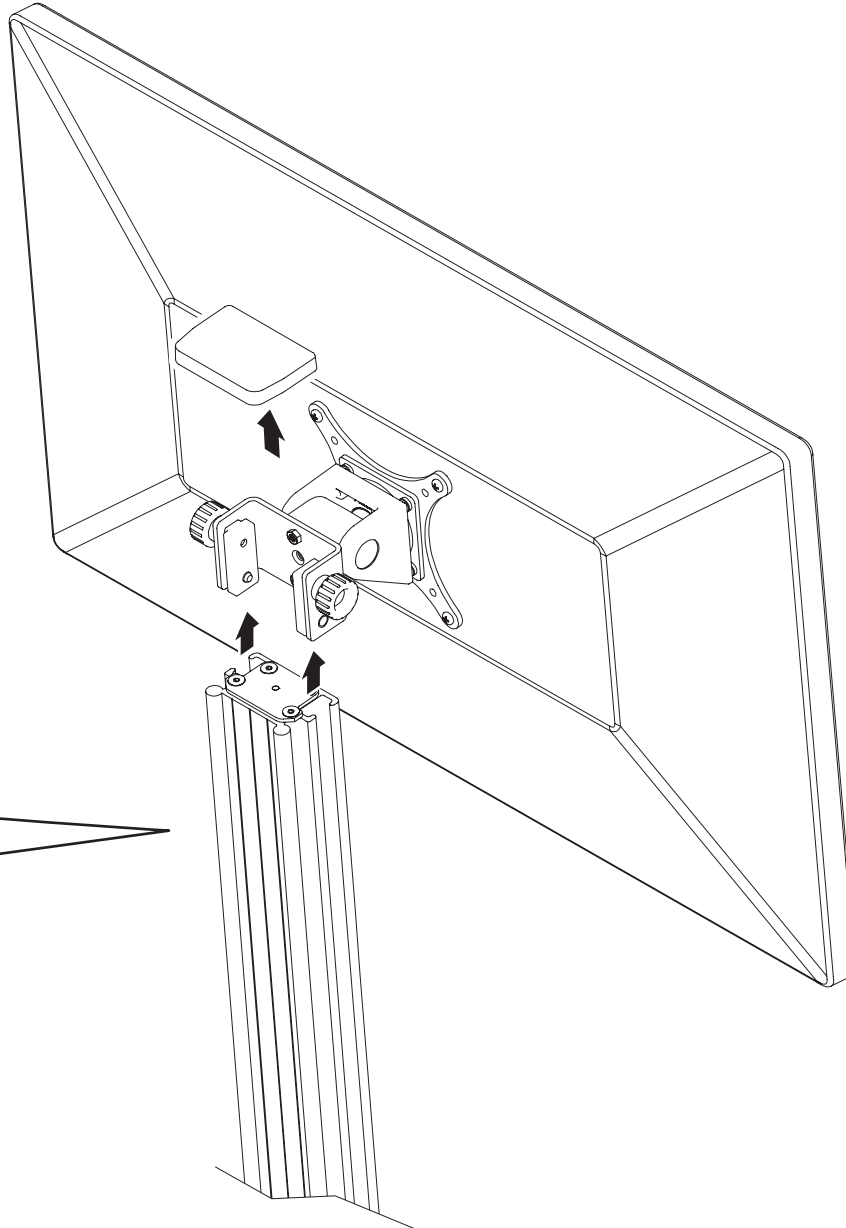
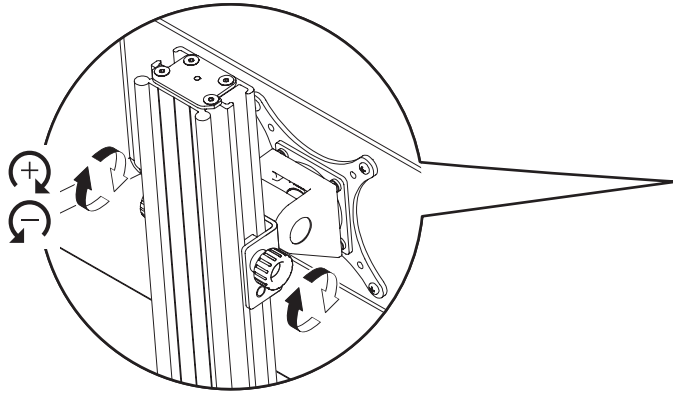


1

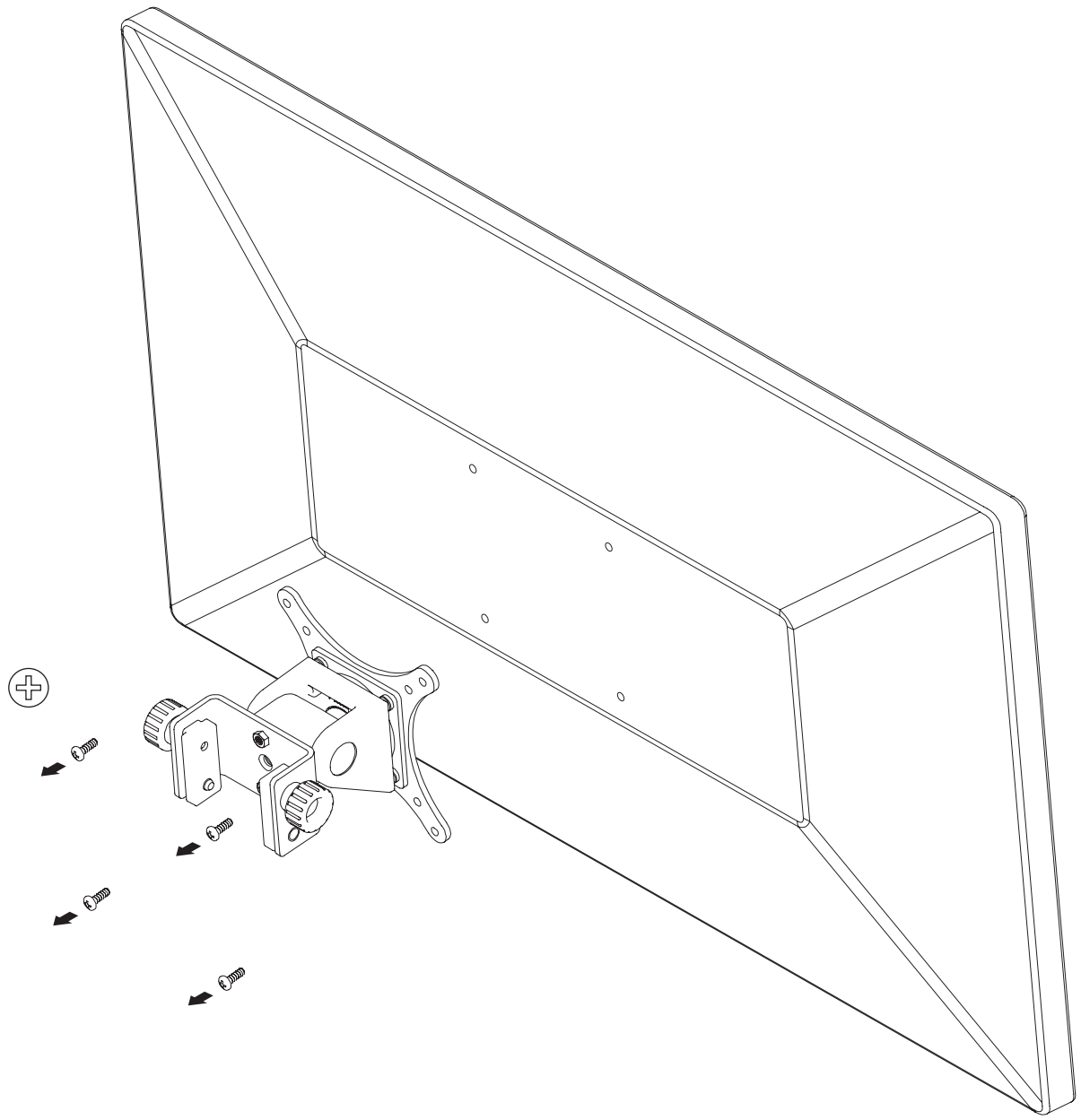


Please refer to your original product instructions for additional adjustments that may be needed after this assembly is complete.

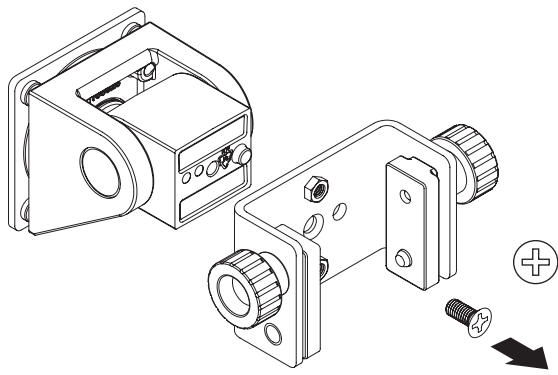
All product instructions are available for download at:
InnovativeWorkspaces.com



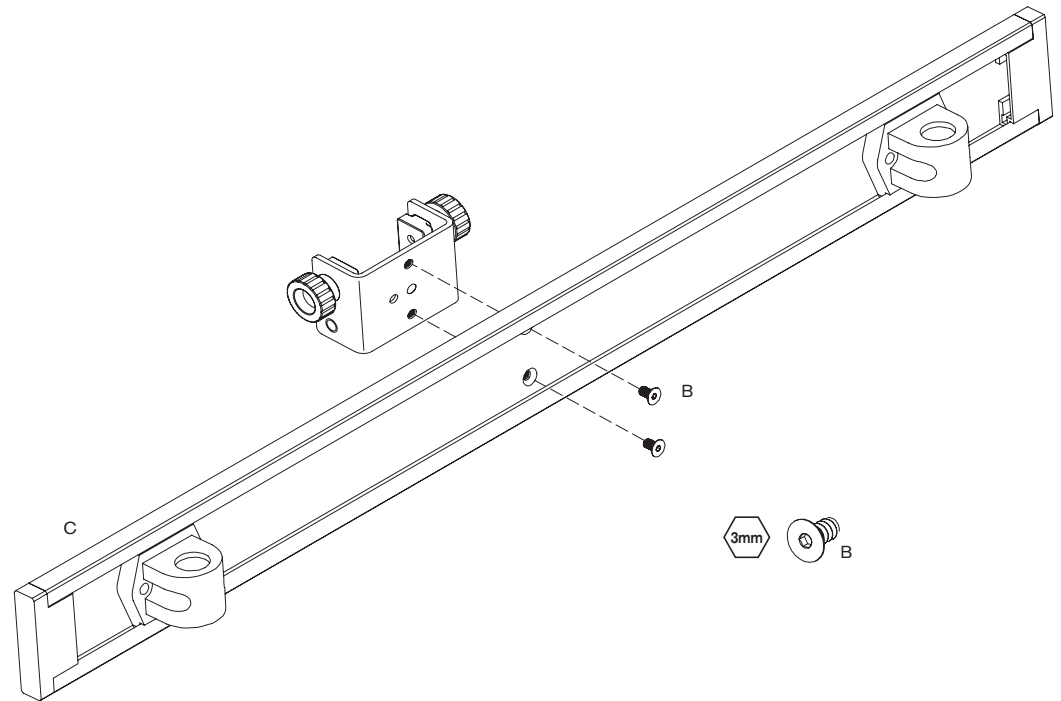
2



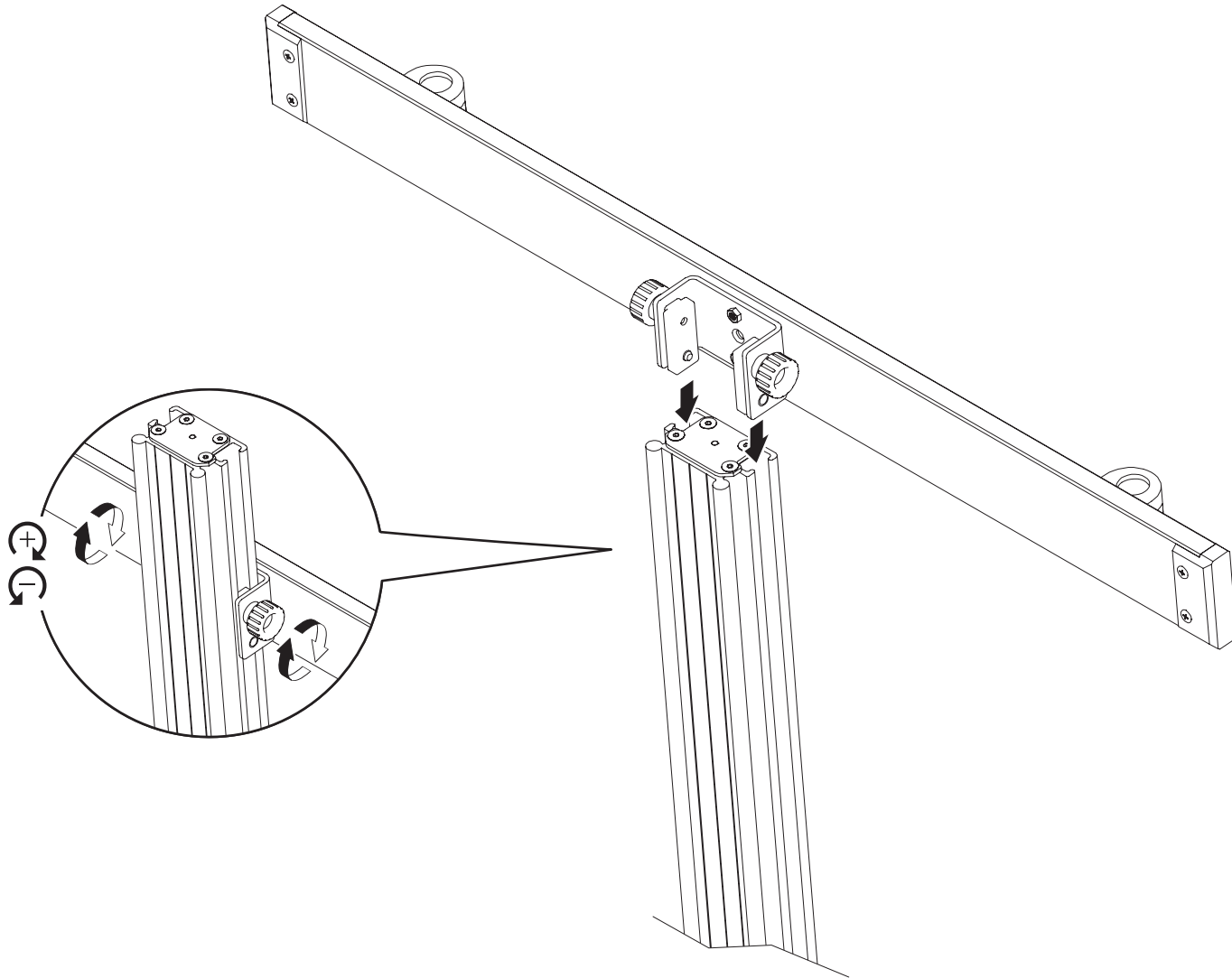
3



4

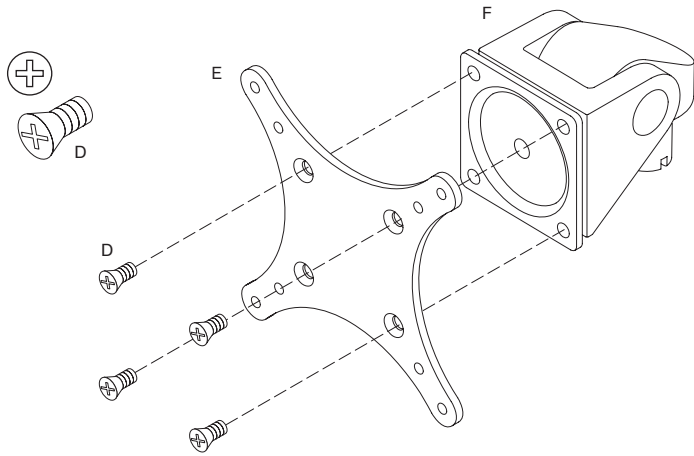


5



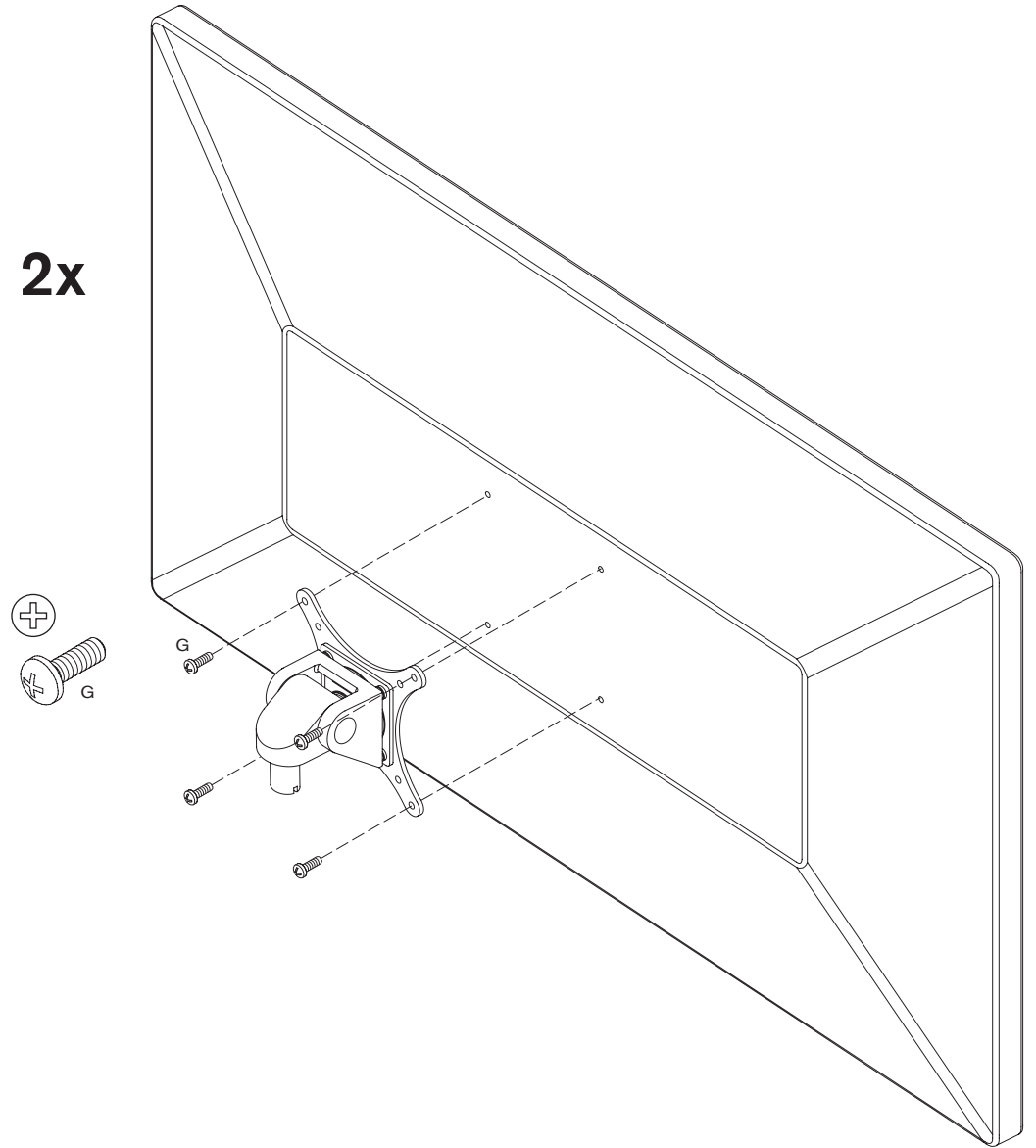
6

2x

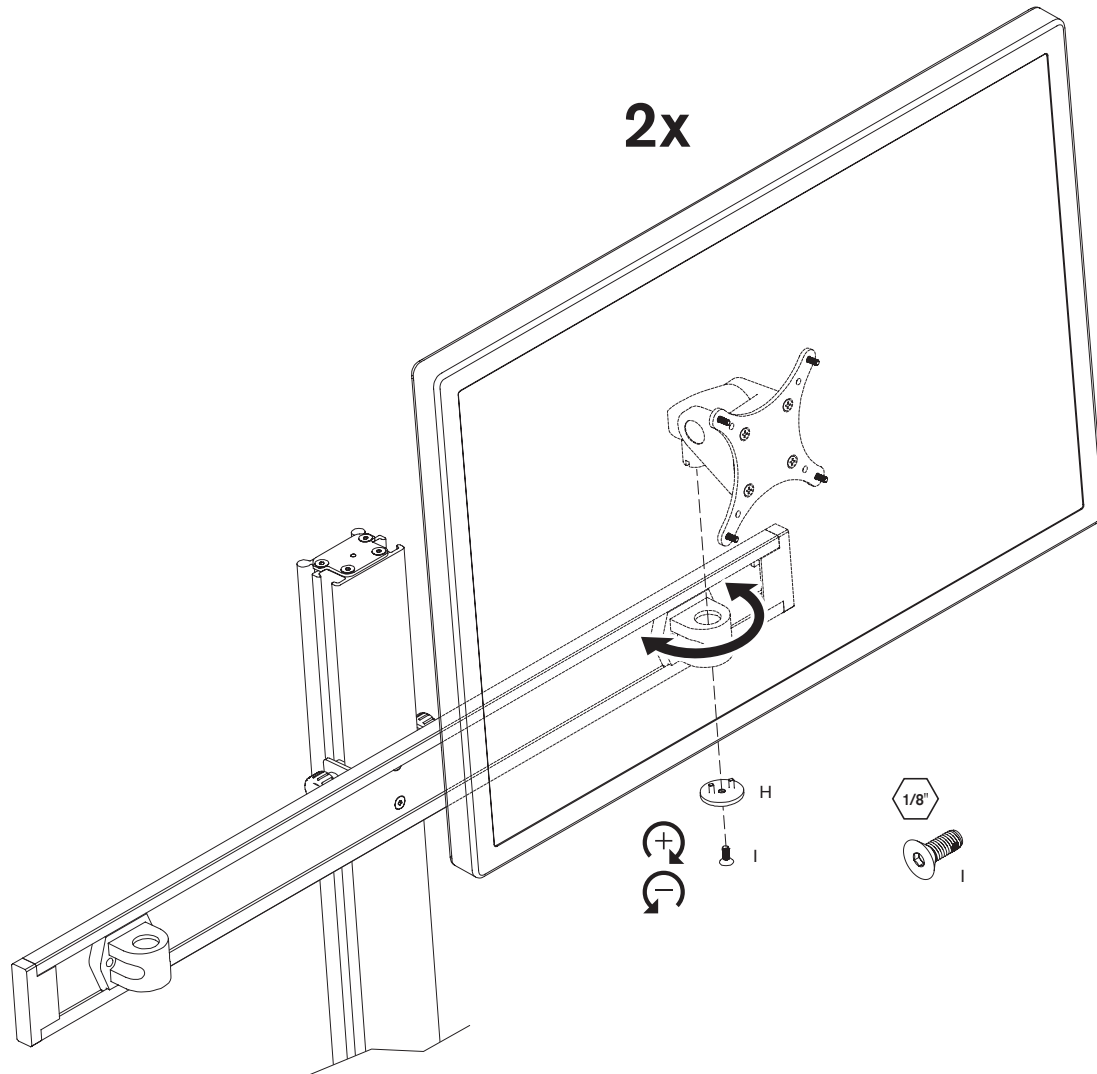


7

2x



8



9

