



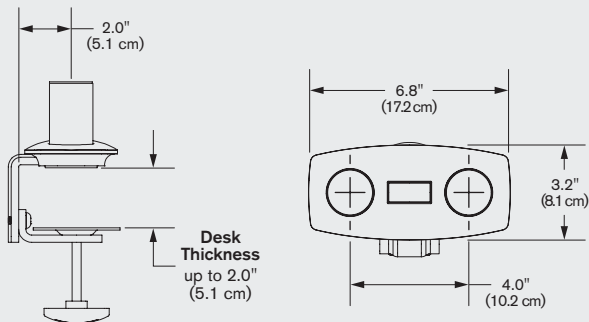
6058

The 8509 mount kit allows you to mount a Dual Evo to desk edge, grommet or thru-desk. Compatible with Evo 5900 arms.

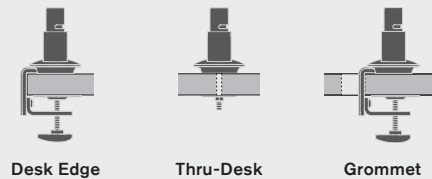
When specifying a Dual Evo with grommet and thru-desk capabilities, order (2) 5900-NM and (1) 8509 dual mount kit.



CAPABILITIES



MOUNT CONFIGURATIONS



FINISHES

FLAT WHITE | color code: 248

SILVER | color code: 124

VISTA BLACK | color code: 104