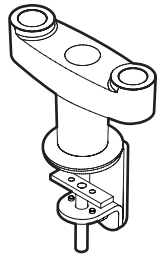


MODEL 8408

Installation Instructions



Desk Edge

1 **2** **3**

Thru-Desk

8408-thru 8408-cup

1 - or - **2**

Grommet Hole

1 **2** **3**


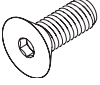

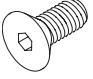
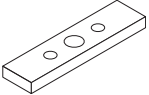
Side Bolt

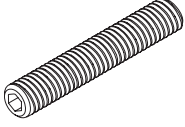
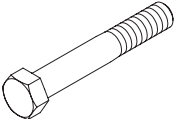

1 **2**

* Hardware not included.

MODEL 8408

Parts List

ITEM	DESCRIPTION / PART NO.	QUANTITY
A	3/8-16 Nylon Stop Nut 701418	1
		
B	3/8-16 x 1-1/4" Flat Socket Cap Screw 1 701855	
		
C	Foam Pad 1 701565 <i>Included with Models 8408 & 8408-thru only</i>	
		
D	3/8-16 x 7/8" Flat Socket Cap Screw 1 701799	
		
E	Rectangular Spacer 1 701544	
		

ITEM	DESCRIPTION / PART NO.	QUANTITY
F	1/2-13 x 3" Socket Set Screw 1 701126	
		
G	3/8-16 x 2-1/2" Hex Head Bolt 1 700268 <i>Included with Models 8408-thru & 8408-cup only</i>	
		
H	Foam Pad 1 701120 <i>Included with Model 8408-cup only</i>	
		
I	7/32" Allen Wrench 1 701127	
