

**7050** Ideal for active workplace environments, the 7050 height adjustable laptop and monitor arm allows mobile workers to combine their notebook with a full-size monitor for the enhanced productivity that comes with using two monitors while making the most of an open-concept benching system.



## FEATURES

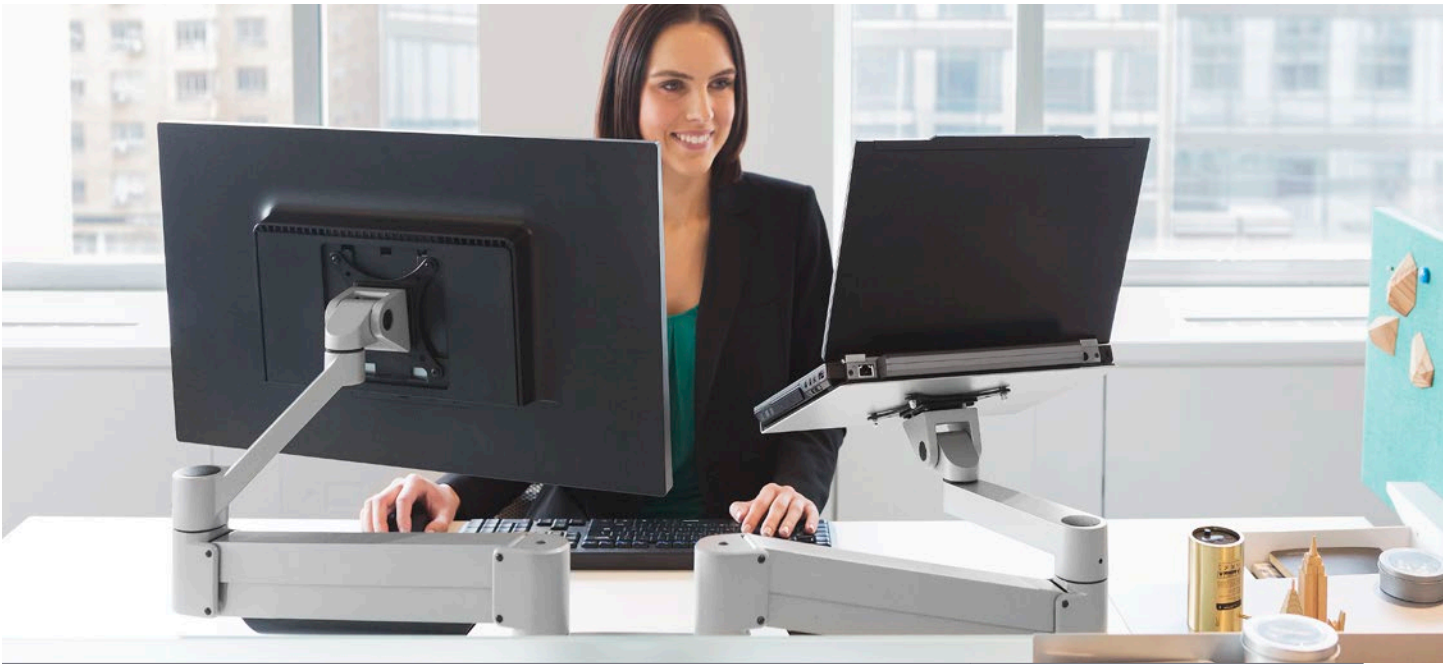
- Take your laptop with you as needed with an easy grab-and-go interface.
- Enables workers to use a laptop ergonomically with their standard monitor.
- Monitor and laptop are lifted off of the work surface providing more desk space while the cable management system removes unwanted clutter.
- Position the mobile device and monitor independently of each other.
- Choose the mount configuration that works for your office with the included FLEXmount, featuring four mounting options.
- VESA-monitor compatible – 75mm & 100mm VESA adapters included.

## AVAILABLE MODELS

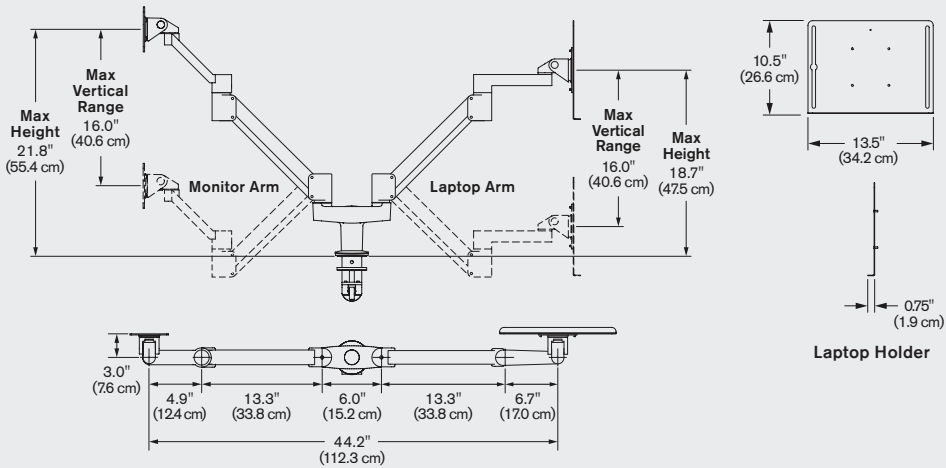
<b>7050-500-500SR</b>	Supports a 2 - 13 lb (0.9 - 5.9 kg) monitor, up to 32" and 3 - 13.5 lb (1.4 - 6.1 kg) laptop
<b>7050-800-500SR</b>	Supports a 7.5 - 25 lb (3.4 - 11.3 kg) monitor, up to 32" and 3 - 13.5 lb (1.4 - 6.1 kg) laptop
<b>7050-1000-500SR</b>	Supports a 12 - 31 lb (5.4 - 14.1 kg) monitor, up to 32" and 3 - 13.5 lb (1.4 - 6.1 kg) laptop

## FINISHES

FLAT WHITE   color code: <b>248</b>
SILVER   color code: <b>124</b>
VISTA BLACK   color code: <b>104</b>



**CAPABILITIES**



**MOUNT CONFIGURATIONS**

