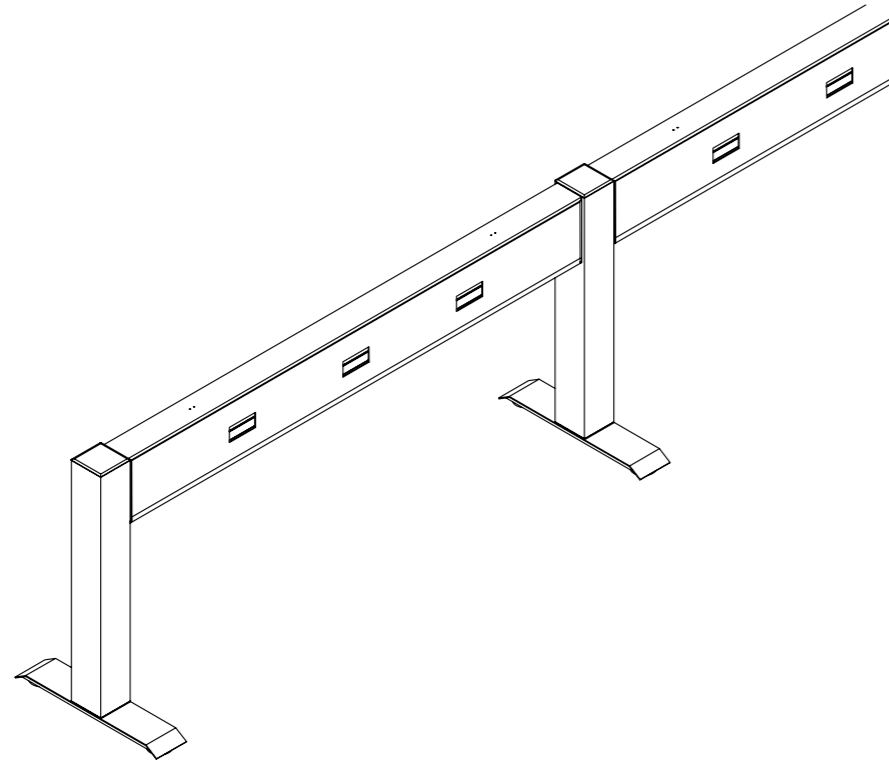




LOW BEAM ASSEMBLY INSTRUCTIONS



PARTS LIST

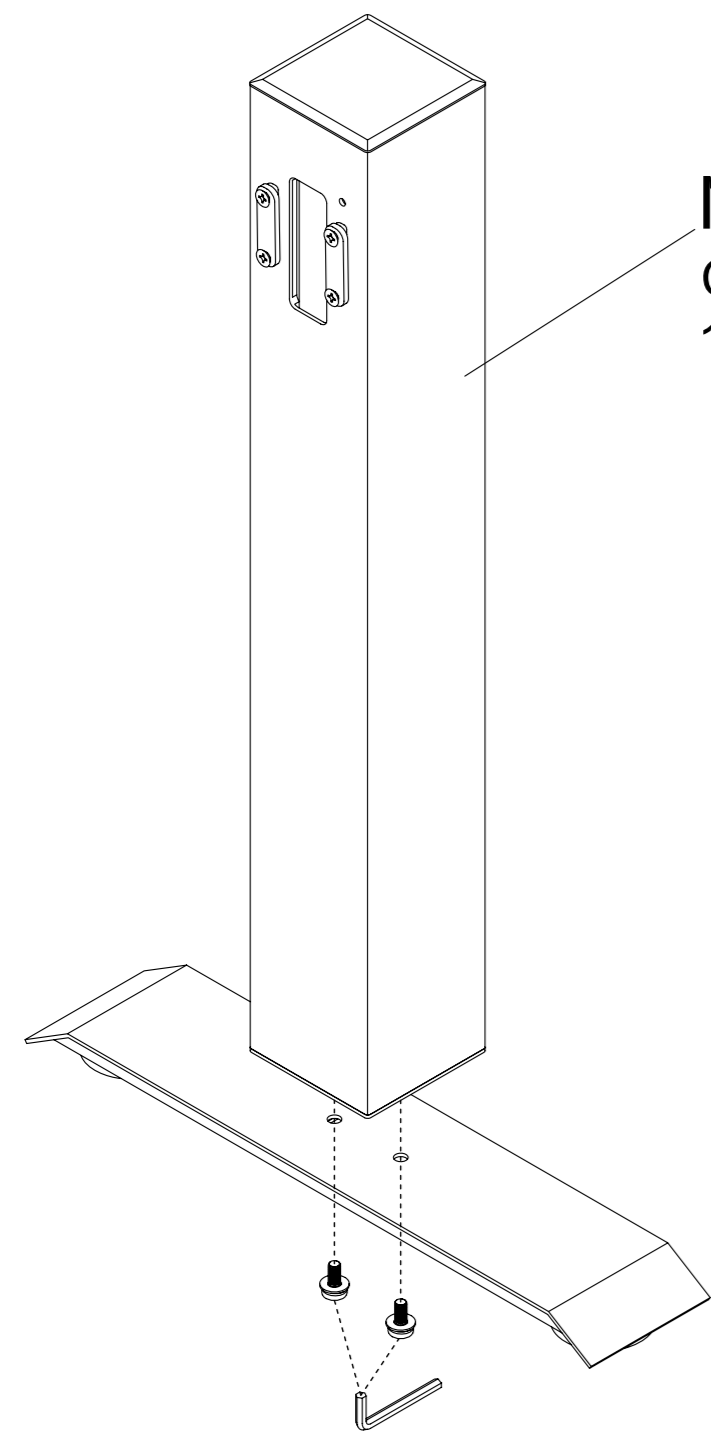
Item	Part Qty.	HB	HB	HB	HB	HB	Foot 15"	Ceiling Cover
		 Screw M6 x 15	 Wrench 4 mm	 Screw 4.2 x 16	 Screw 4.2 x 16	 Screw M5 x 8		
HRPF23-E	 3	3	1	2	-	-	1	-
HRPF23-E (2 PACK)	 5	5	1	3	-	-	2	-
HRPF23-180	 3	3	1	3	-	-	1	-
HRPF23-180 (2 PACK)	 5	5	1	5	-	-	2	-

PARTS LIST

Item	Part Qty.	HB	HB	HB	HB	HB	Foot 15"	Ceiling Cover
		 Screw M6 x 15	 Wrench 4 mm	 Screw 4.2 x 16	 Screw 4.2 x 16	 Screw M5 x 8		
HRP24-L	 3	-	-	3	-	-	-	-
HRP24-T	 4	-	-	4	-	-	-	-
HRP24-X	 5	-	-	5	-	-	-	-
HRP-2-120	 3	-	-	3	-	-	-	-
HRP-3-120	 4	-	-	4	-	-	-	-
CMT-36 / 48	 14	-	-	-	-	14	-	-
CMT-60 / 72	 18	-	-	-	-	18	-	-
PP 12 Post	 3	3	1	2	3	-	1	1

Please remove Red hardware bag from box.
Parts with HB are in Red hardware bag.

(1) Attach Foot to pre-mounted plate on bottom of Post using Screws (M6*15) .



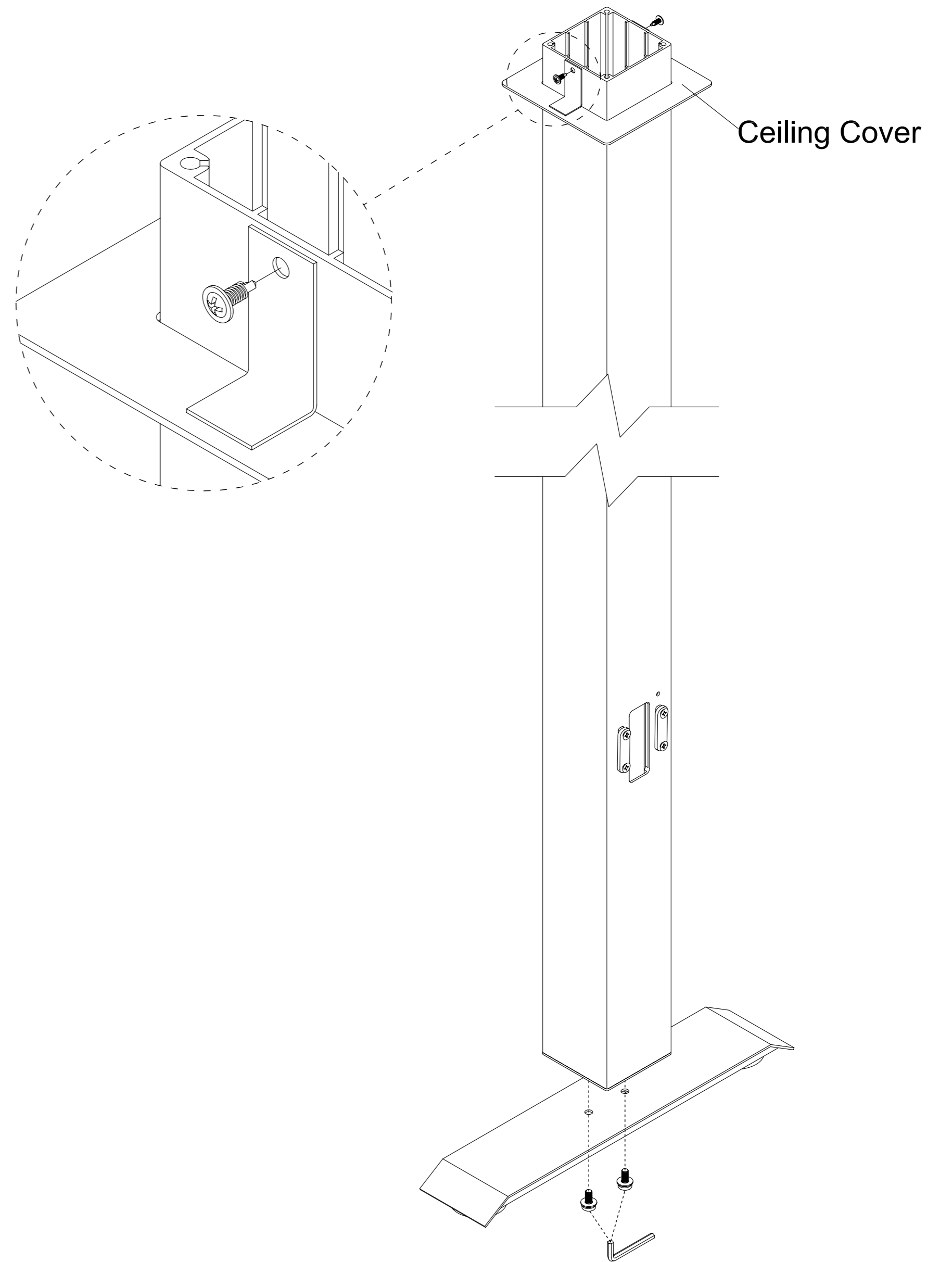
Note:

Could be PP12、 E、 X、 T、 L、 180、 2-120、 3-120 POST

Options:

PP12	E Post、 180 post	L Post	T Post	X Post	2-120 Post	3-120 Post

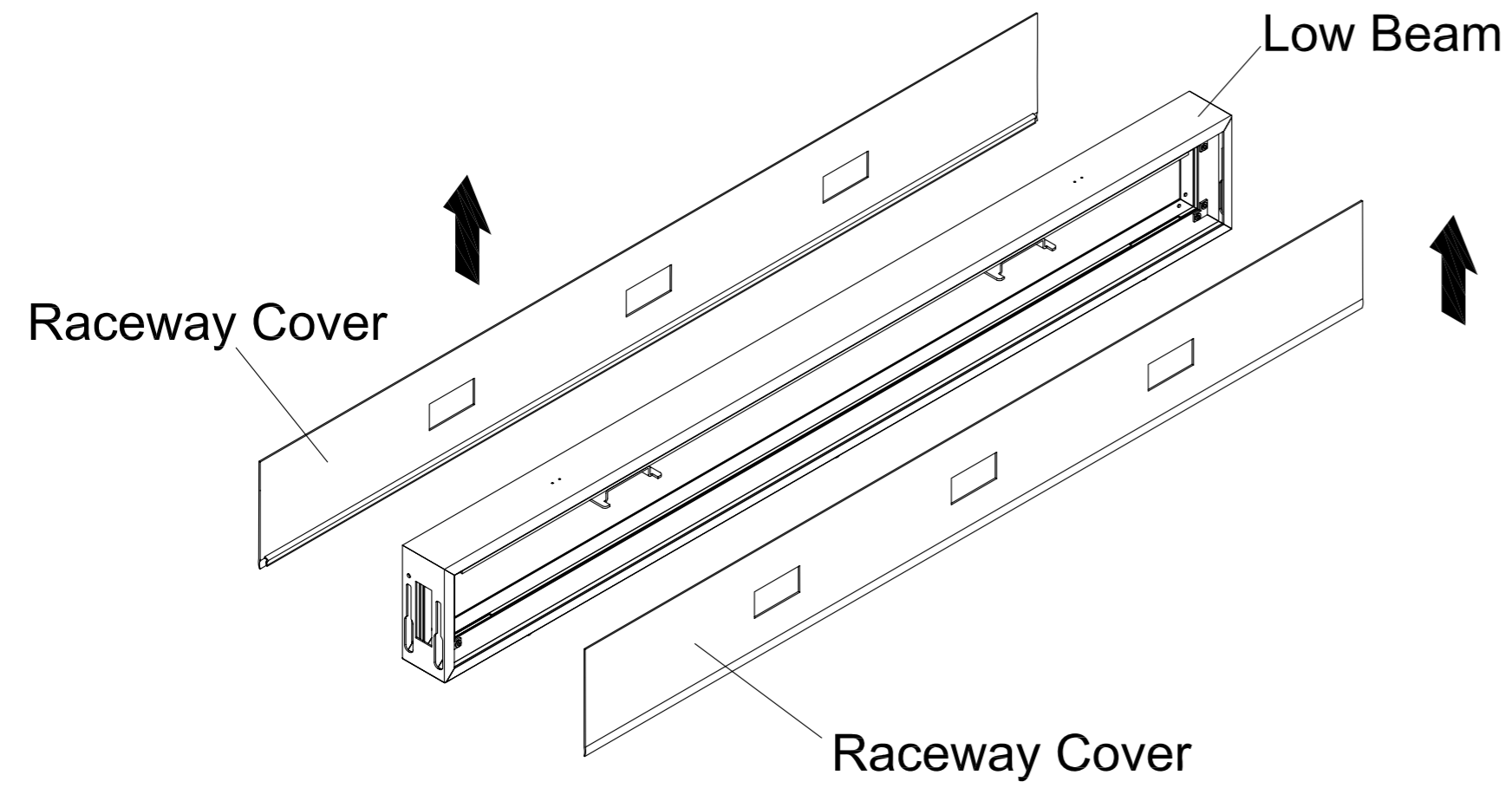
(2) If using a Power Pole, Attach Foot to pre-mounted plate on bottom of Post using Screws (M6*15) and Wrench. Attach Ceiling Cover to top of PP12 using Screws (4.2*16) .



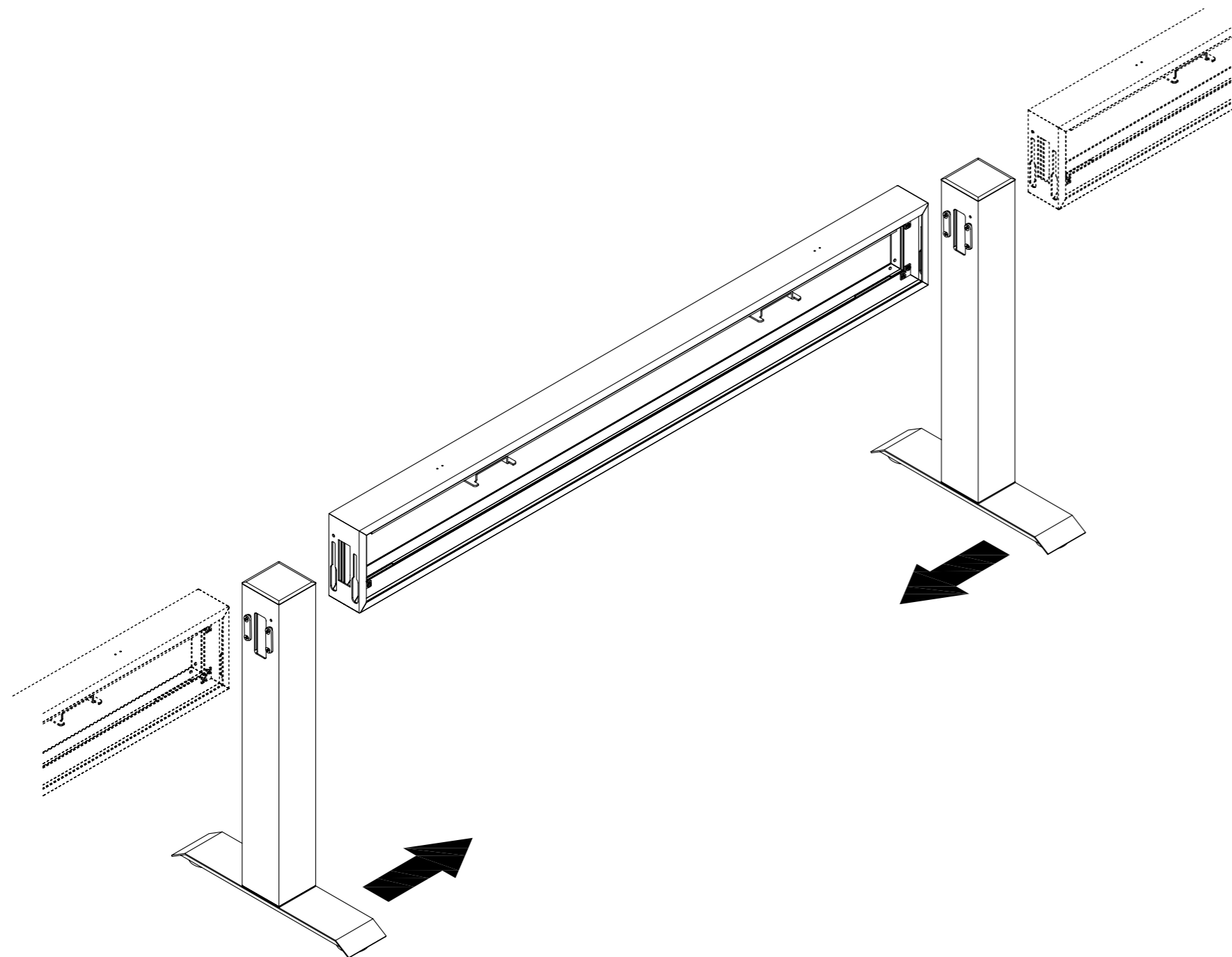
Note:

May be cut down as needed before installation.

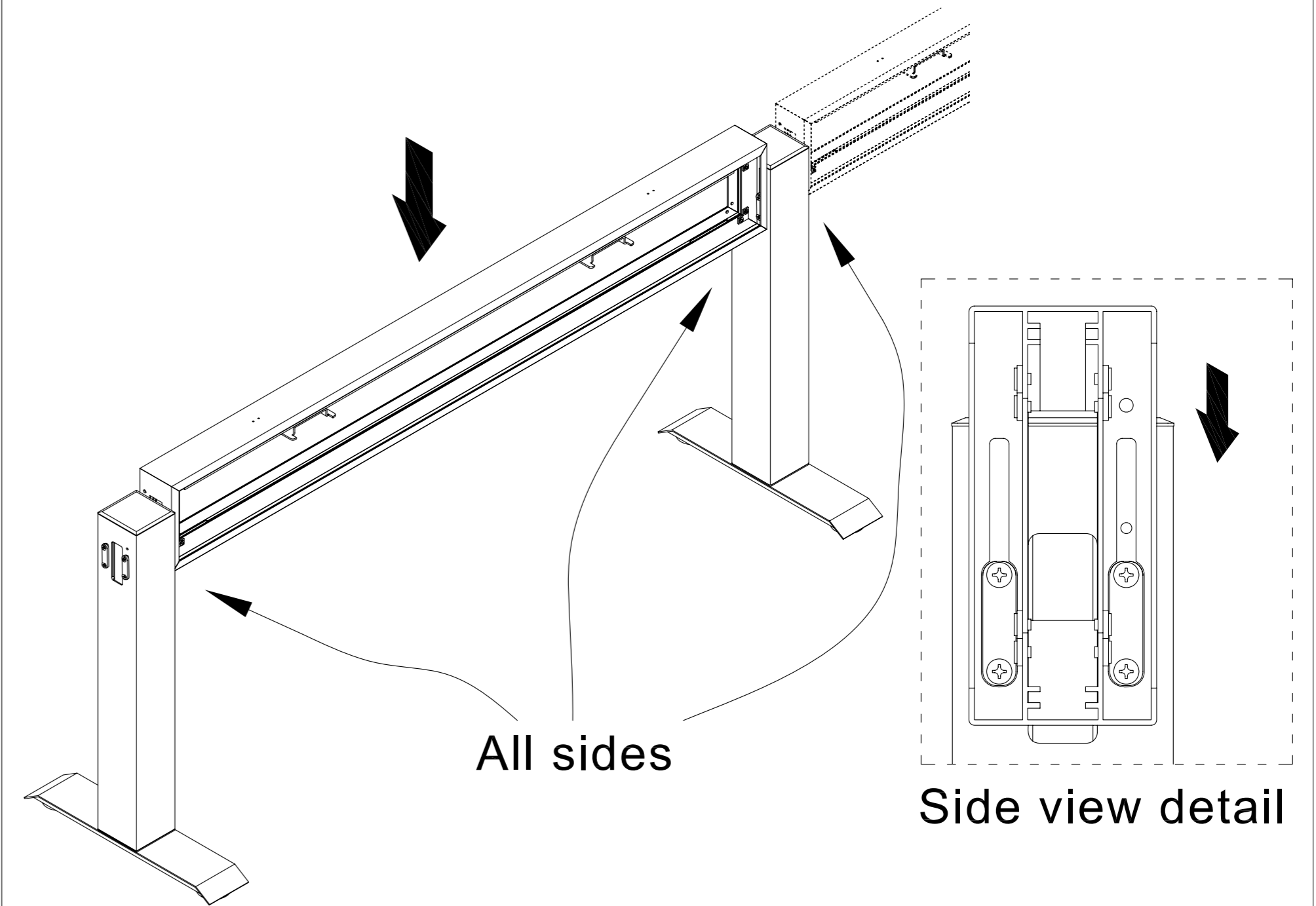
(3) Take off the Raceway Covers.



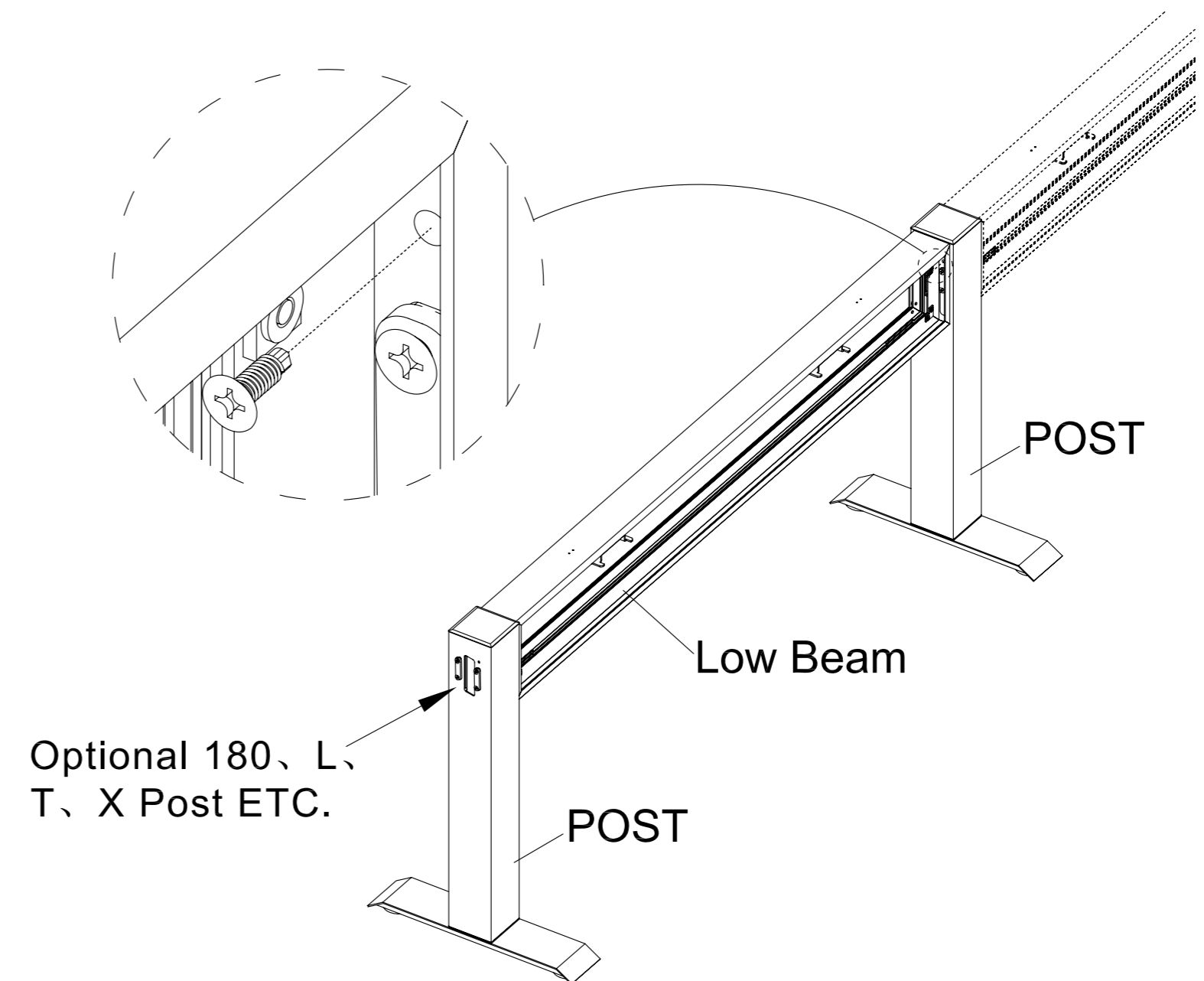
(4) Put the Connector into the keyhole of the post.



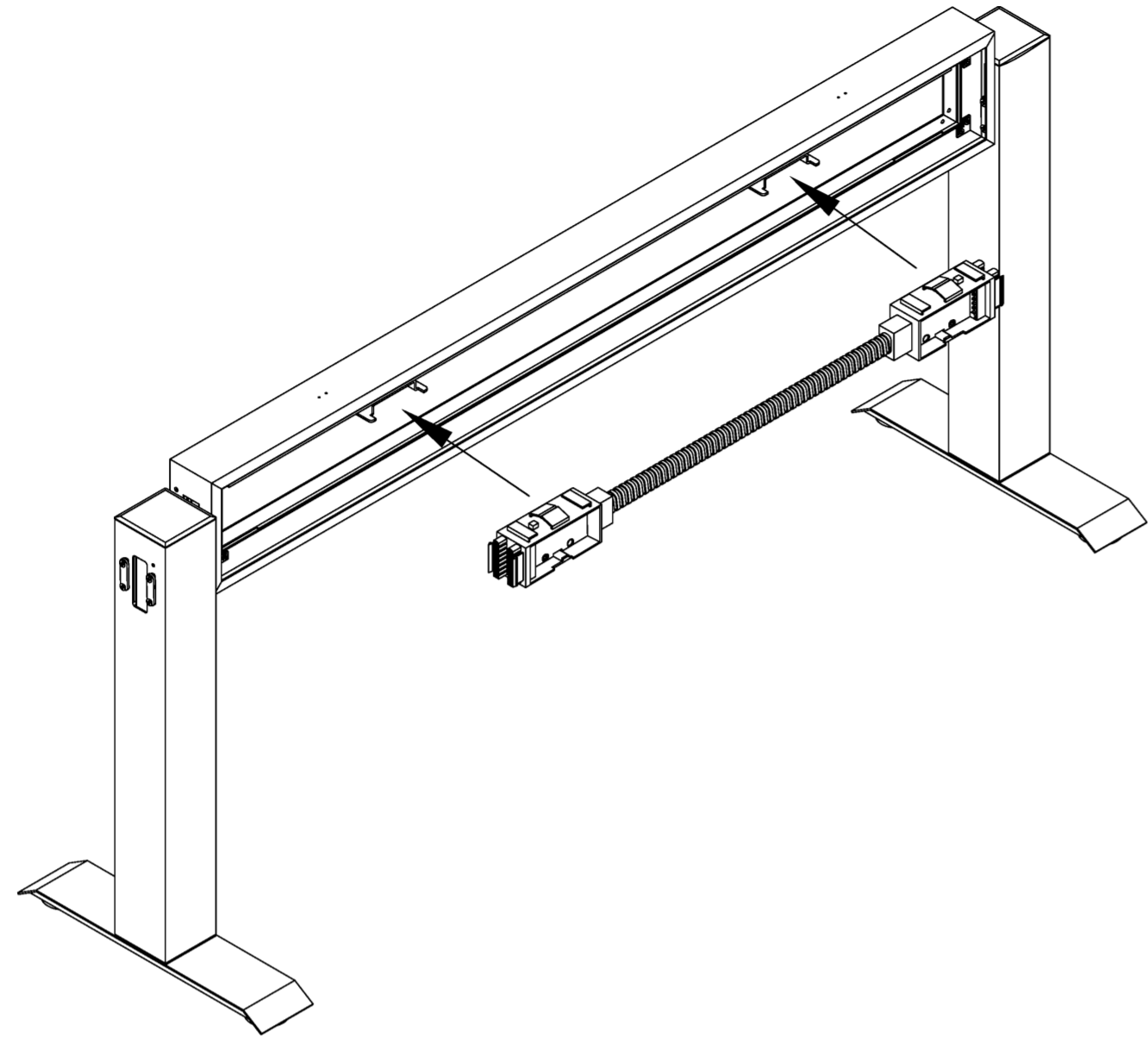
(5) Slide the beam to the bottom of Connector on the post.



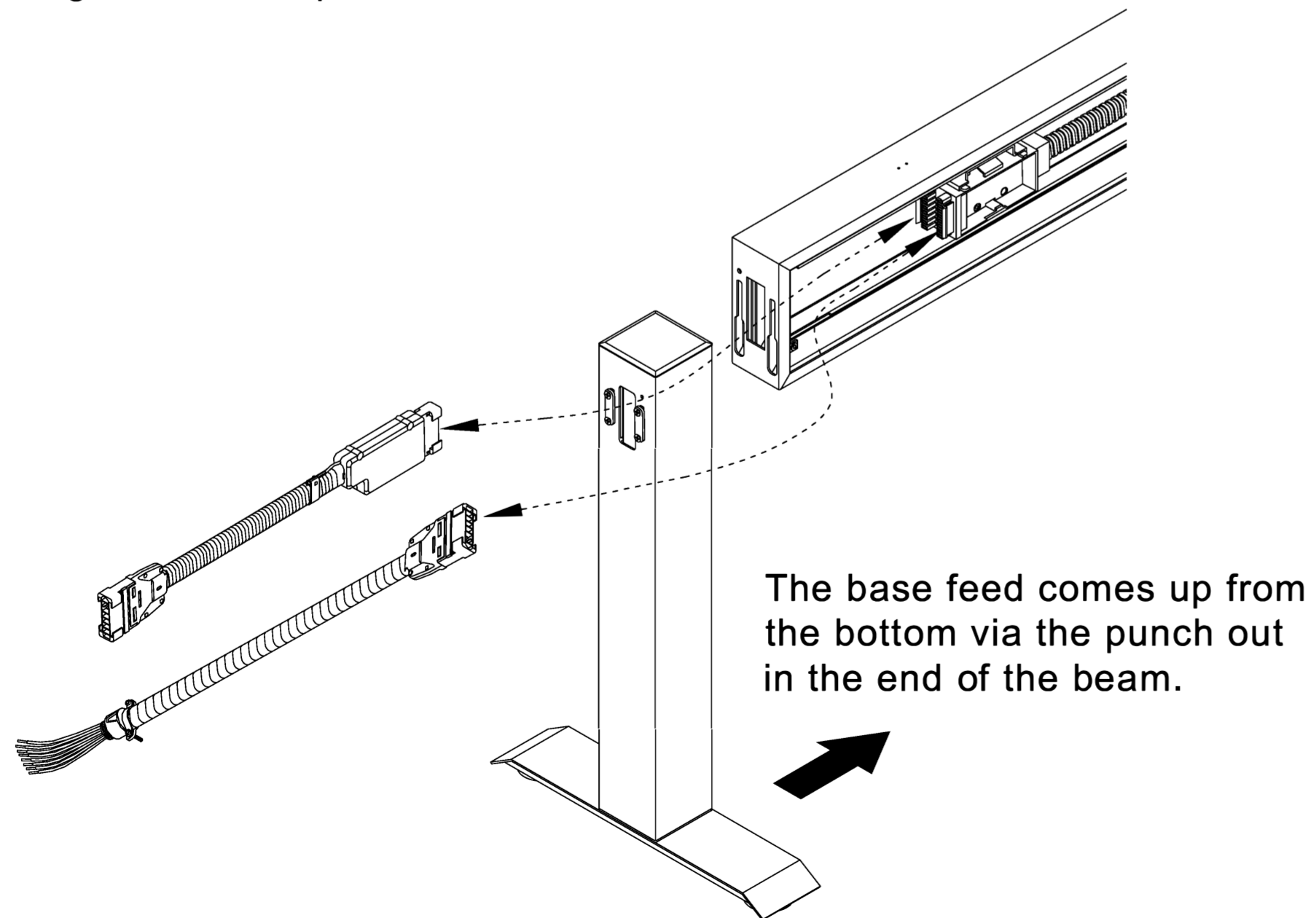
(6) Lock Beam to the Post using Screws (4.2*16) .



(7) Install Power Trac into clips preinstalled.

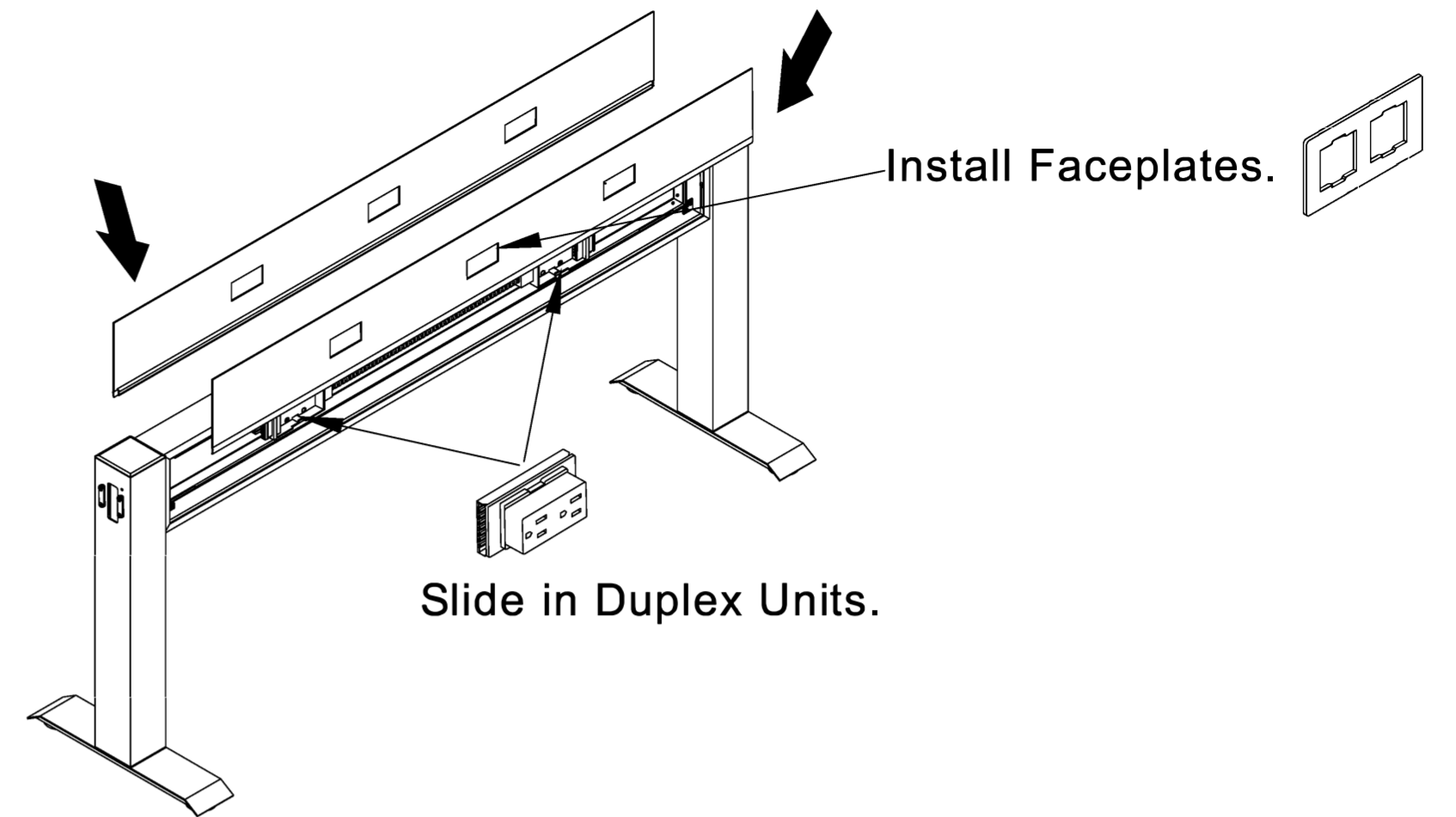


(8) Run Jumpers or Base Feed from power track to Power Trac through connector posts.

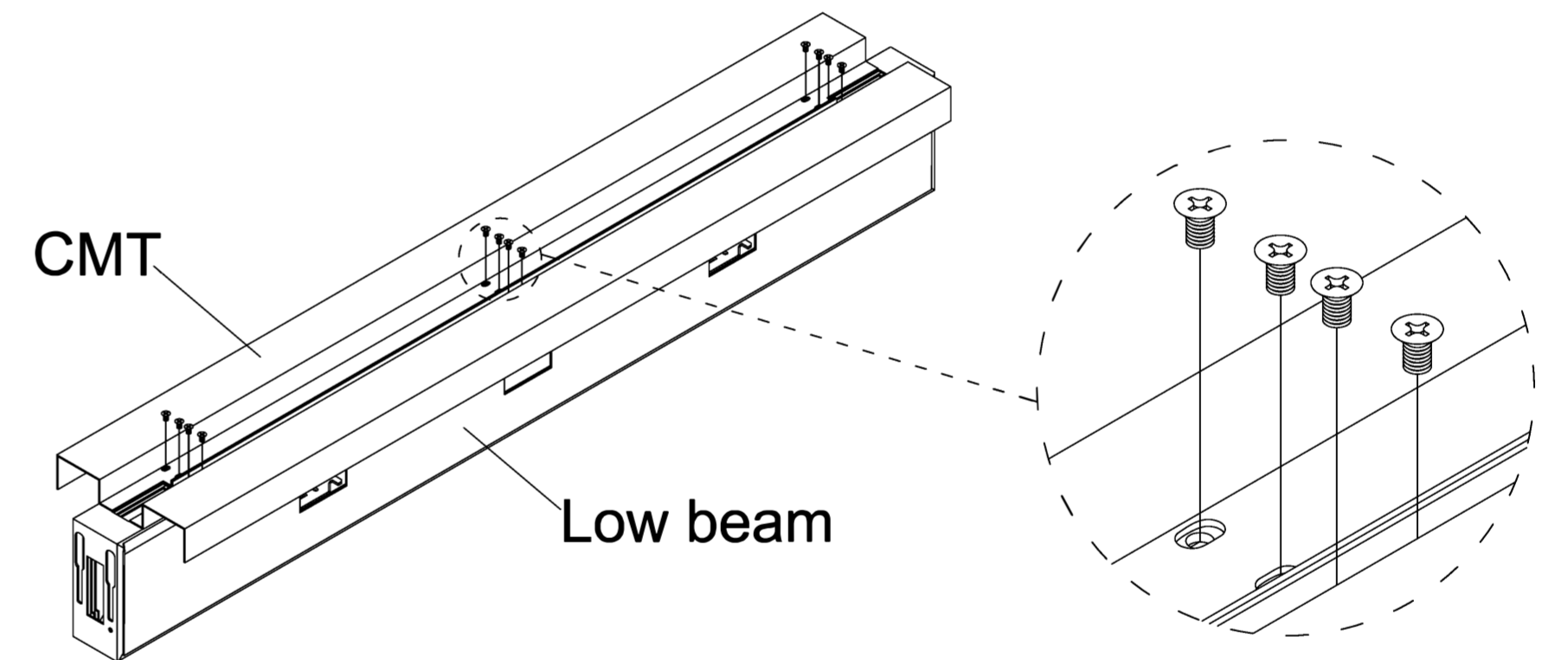


5

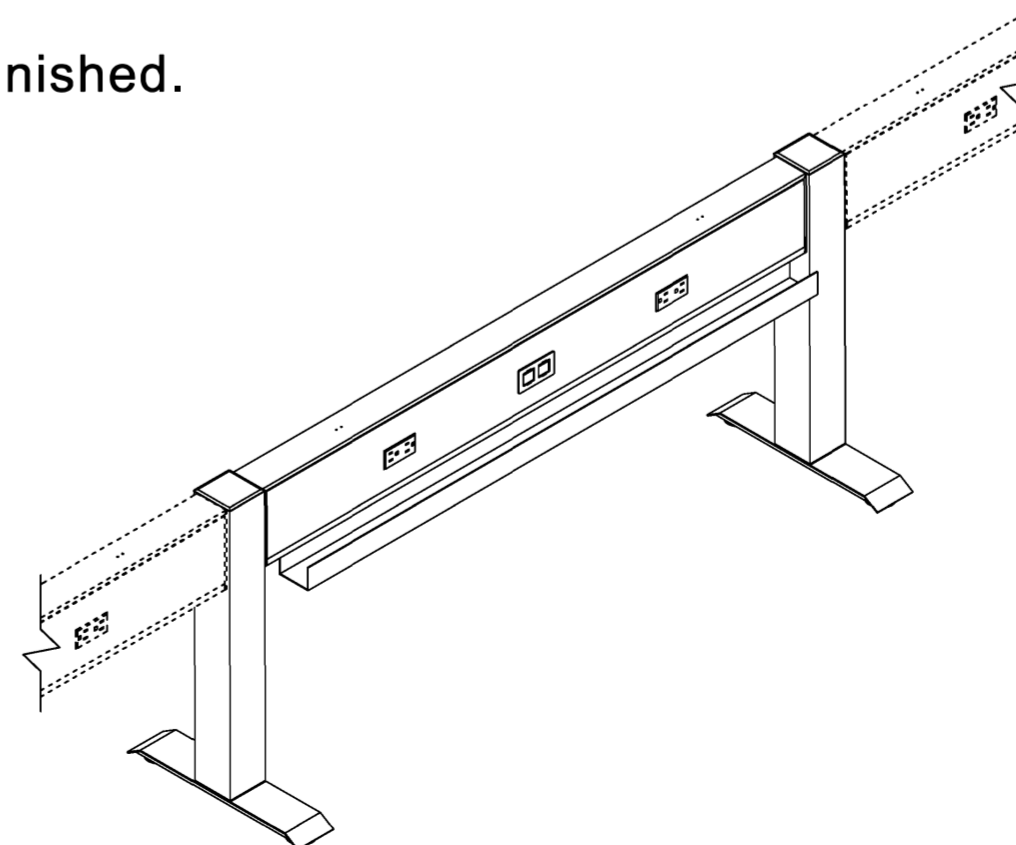
(9) Install the Raceway covers to the Beam.



(10) Attach CMT to bottom of Low beam using Screws (M5*8) . (Optional)



(11) Finished.



6