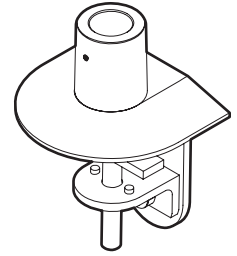


FLEXMOUNT® 8111

Installation Instructions



Desk Clamp

- 1
- 2
- 3

Thru-Desk

| 8111-CUP | 8111-THRU |
|----------|-----------|
| | |

Wall Mount

- 1
- 2

* Hardware not included.

Reverse Wall Mount

- 1
- 2

* Hardware not included.

Grommet Hole

- 1
- 2
- 3

> 2.5"


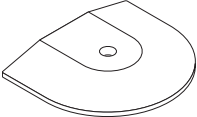
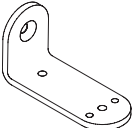
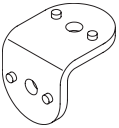
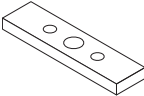
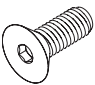
Side Bolt



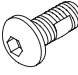
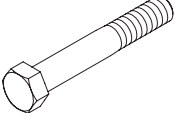
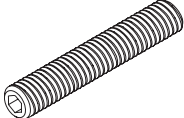
- 1
- 2

* Hardware not included.

FLEXMOUNT® 8111

Parts List

| ITEM | DESCRIPTION / PART NO. | QUANTITY |
|---|---|----------|
| A  | Mount Column 401328 | 1 |
| B  | Base Plate 406656 | 1 |
| C  | Large "L" Bracket 701117 | 1 |
| D  | Small "L" Bracket 111728 | 1 |
| E  | Rectangular Spacer 701544 | 1 |
| F  | 3/8-16 x 1" Flat Socket Cap Screw 701124 | 1 |

| ITEM | DESCRIPTION / PART NO. | QUANTITY |
|--|---|----------|
| G  | 3/8-16 x 1/2" BHSCS 702898 | 1 |
| H  | 3/8-16 Nylon Stop Nut 701418 | 1 |
| I  | 3/8-16 x 7/8" Button Socket Cap Screw 701122 | 1 |
| J  | 3/8-16 x 2-1/2" Hex Head Bolt 700268 | 1 |
| K  | 1/2-13 x 3" Socket Set Screw 701126 | 1 |