

FREEDOM DESK

The Ergotech Freedom Desk, by Innovative is an ultra easy sit-stand solution designed with a spacious upper display surface and lower keyboard and mouse desk. It features spring-assisted lift mechanism that lets you switch easily between sitting and standing in just a few seconds. It also holds up to 35 lbs, while staying steady and solid at any height. It ships fully assembled and ready-to-use – just put it right on top of your current desk, and you're ready to work.



FEATURES

- Expansive upper surface provides large space for dual-monitor setups and other necessities.
- Lower work surface provides a comfortable and functional workspace.
- Dual-handle design puts effortless operation at your fingertips.
- Spring-assisted lifting mechanism allows you to raise and lower easily in just a few seconds.
- Smoothly adjusts to 10 different heights.
- Adjust the lift strength to fit the weight of the mounted load for smooth and easy movement.
- Extremely solid base ensures a sturdy and stable work surface at any height.
- Ships fully assembled, no installation required.
- Warranty: 5 years.

AVAILABLE MODELS

FDM-DESK-W	Supports up to 35 lbs (15.8 kg), White Finish
FDM-DESK-B	Supports up to 35 lbs (15.8 kg), Black Finish

FINISHES

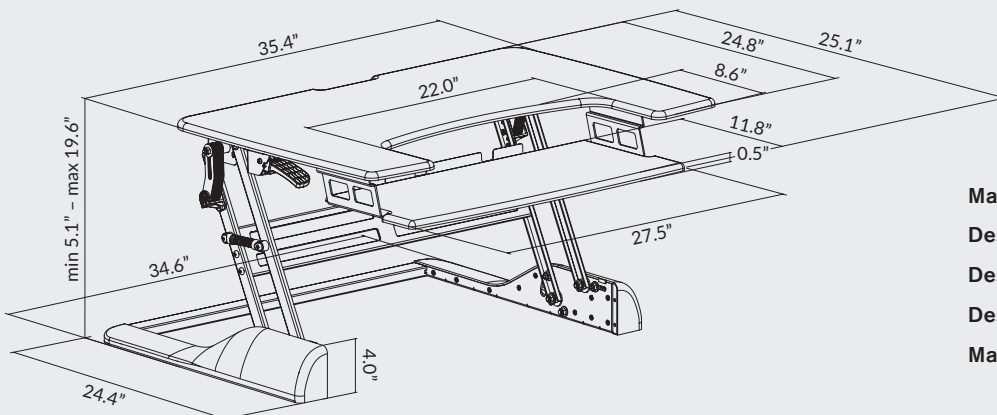
WHITE
BLACK

FREEDOM DESK VS. THE COMPETITION



	Ergotech Freedom Desk	VariDesk Pro Plus 36"	Ergotron Workfit-T
Ships fully assembled	✓	✓	✓
Smoothly adjusts to 10 different heights	✓	✓	✓
Lift strength adjusts to match monitor weight	✓	✗	✗
Spring assisted lift mechanism	✓	✓	✗
Two work surfaces while sitting & standing	✓	✓	✓
Accommodates dual monitors	✓	✓	✓
Supports up to 35 lbs	✓	✓	✓
Vertical height range over 19"	✓	✗	✗
Freestanding base	✓	✓	✓
Over 35" desk surface	✓	✓	✓
Black and white finish options	✓	✓	✓
5 year warranty	✓	✗	✓

CAPABILITIES



Material: Density Plate / Sheet Metal / Plastic
Desktop Thickness: 0.5"
Desktop Dimensions: 35.4" wide x 25.1" deep
Desktop Height Adjustment Range: 5.1" to 19.6"
Max Monitor Capacity: 2