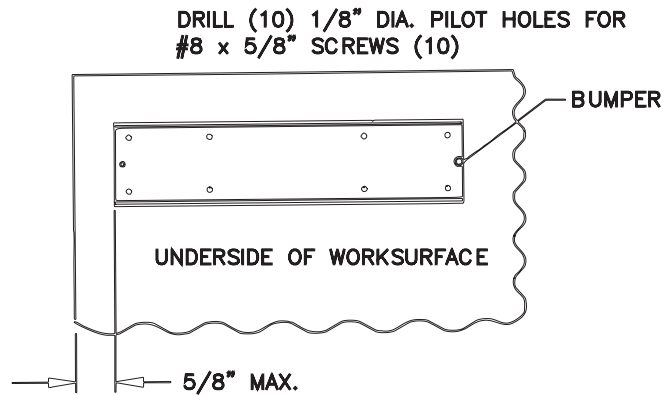
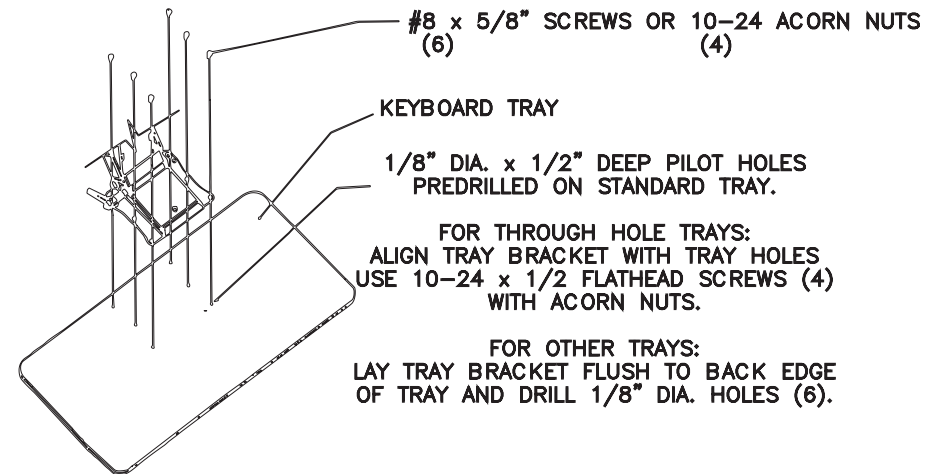


Tools Needed:
 Phillips Head Screwdriver
 3/8" Wrench

① MOUNT TRACK

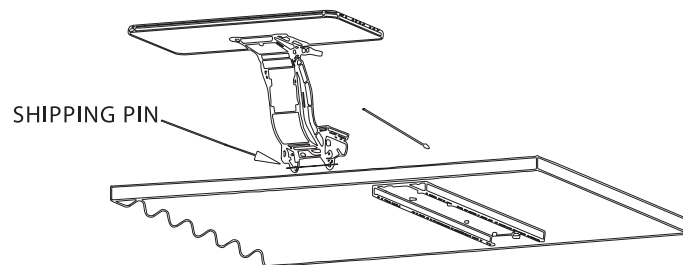


② MOUNT KEYBOARD TRAY

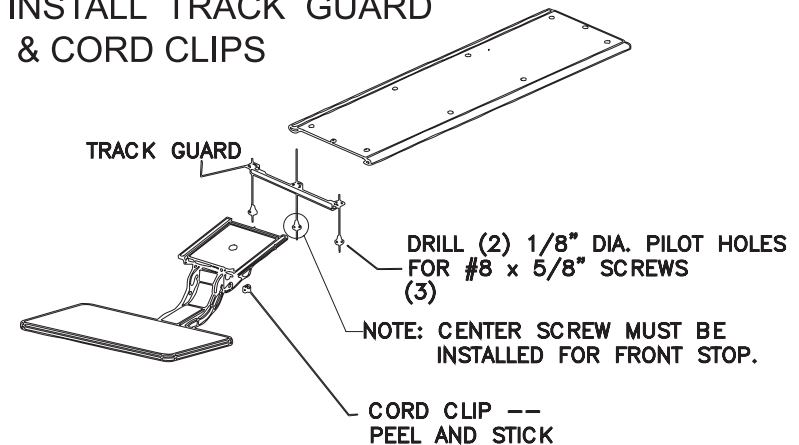


③ INSTALL MECHANISM

REMOVE SHIPPING PIN ONLY AFTER MECHANISM IS INSERTED INTO THE MOUNTED TRACK. TO REMOVE SHIPPING PIN: TIP FRONT OF KEYBOARD TRAY UP AND BEGIN TO LOWER MECHANISM TO RELIEVE PRESSURE ON SHIPPING PIN. PULL OUT SHIPPING PIN. SLIDE MECHANISM BACK TO BUMPER.



④ INSTALL TRACK GUARD & CORD CLIPS



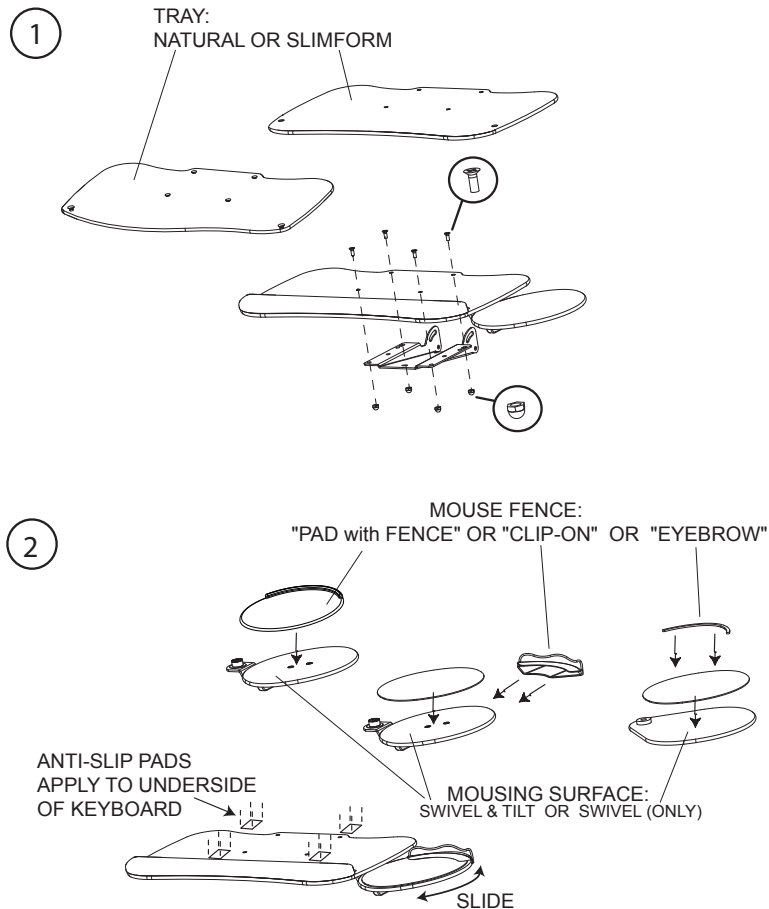
Hardware Included:

- (4) Acorn Nuts
- (4) Screws
- (4) Anti-Slip Keyboard Pads
- (1) Mouse Pad *
- (1) Mouse Catcher *
- * - only with Mouse Set

Tools Needed:

- Phillips Head Screwdriver
- Wrench
- Allen Wrench

RIGHT HAND MOUSE



LEFT HAND MOUSE

