

# Model 9109-Switch

Dual LCD Stand



**M**odel 9109-Switch is a freestanding dual monitor stand. The 90-degree pivot feature allows you to view the LCD in either landscape or portrait format. Comes with a free-standing base—instant setup.

## FEATURES

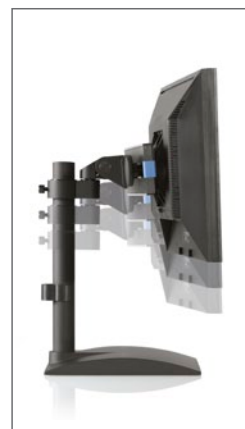
- ▲ Position monitors at desired height on pole.
- ▲ Sturdy base provides a secure platform.
- ▲ Compatible with VESA® monitors.
- ▲ Accommodates monitors up to 24" widescreen (monitor widths may vary).



Cable management



Portrait or landscape viewing



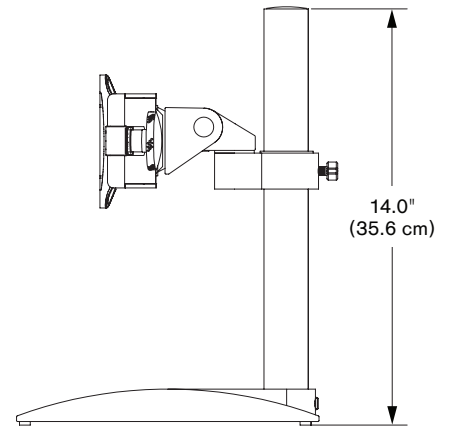
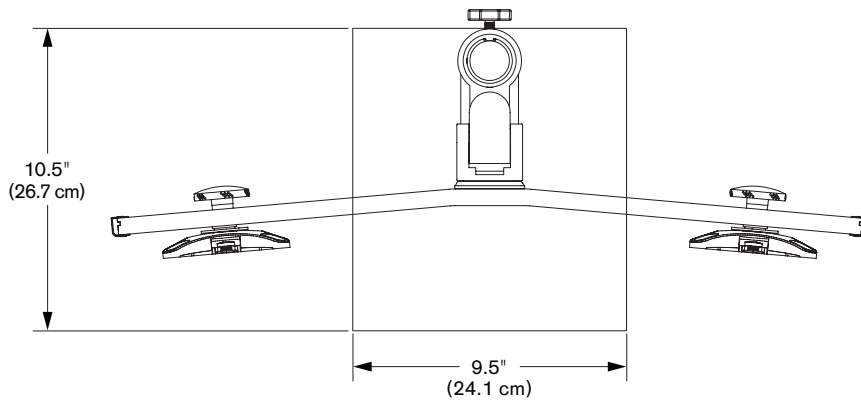
Adjust monitor height



Wide range of monitor tilt

# Model 9109-Switch

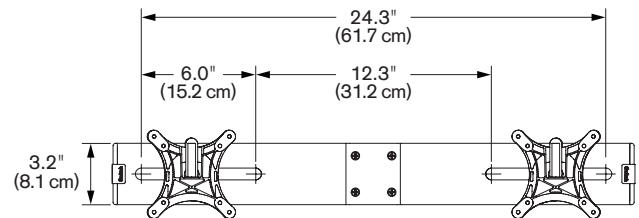
Specifications



## ARM CAPABILITIES

- Pole height..... 14"
- Base dimensions .....W: 9.5", L: 10.5"
- Base weight .....2.1 lbs
- Monitor tilt .....200 degrees
- Monitor pivot .....Landscape to portrait
- Monitor compatibility.....VESA® 75 mm and 100 mm
- Monitor weight.....Up to 18 lbs per monitor

## WING BRACKET CAPABILITIES



**Max monitor width\*** ..... 23" (58.4 cm)\*\* per monitor

\* Monitor width is measured from end to end of the monitor as shown here:

\*\* This measurement is based on a monitor depth of 2.5" (6.3 cm).

The depth of the monitor will have a slight effect on the overall max dimension.

