

Model 9109

LCD Desk Stand

The Model 9109 LCD Stand allows the user to easily adjust the monitor height and angle. The 90-degree rotating pivot feature allows you to view the LCD in either landscape or portrait format. Comes with a free-standing base – instant setup.

FEATURES

- ▲ Position monitor at desired height on pole.
- ▲ Pivot and tilt monitor.
- ▲ Sturdy base provides a secure platform.
- ▲ Compatible with all VESA® monitors – includes 75mm and 100mm VESA® mounting plates.



Monitor can pivot from landscape to portrait



Adjust monitor height as desired



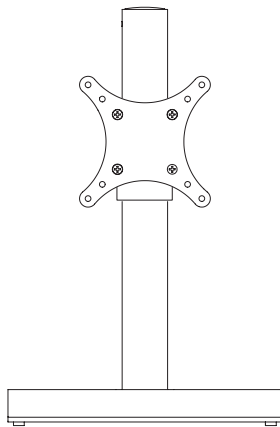
Integrated cable management



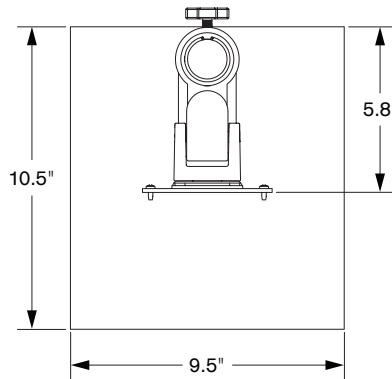
Ideal for touchscreen applications

Model 9109

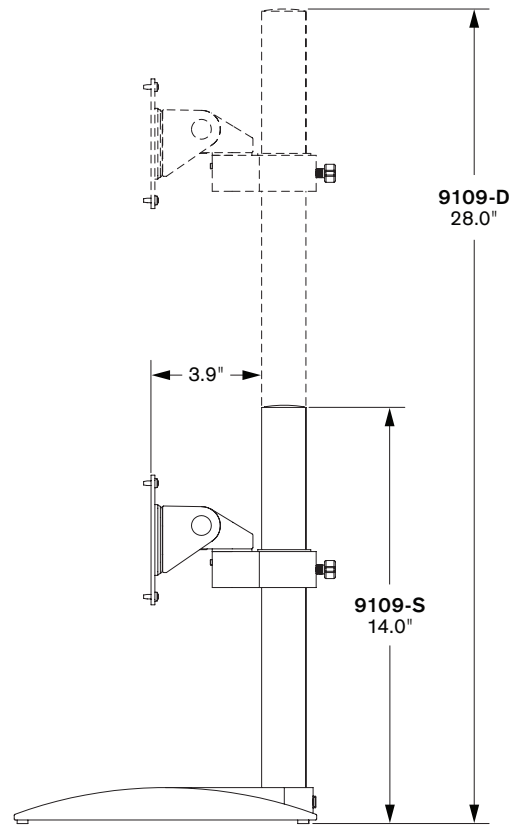
Specifications



FRONT VIEW



TOP VIEW



SIDE VIEW

CAPABILITIES

Pole height..... 14" (9109-S), 28" (9109-D)

Base dimensionsW: 9.5", L: 10.5"

Base weight2.1 lbs

Monitor tilt200 degrees

Monitor pivotLandscape to portrait

Monitor compatibility.....VESA® 75mm and 100mm

Monitor weight.....Up to 45 lbs per monitor

