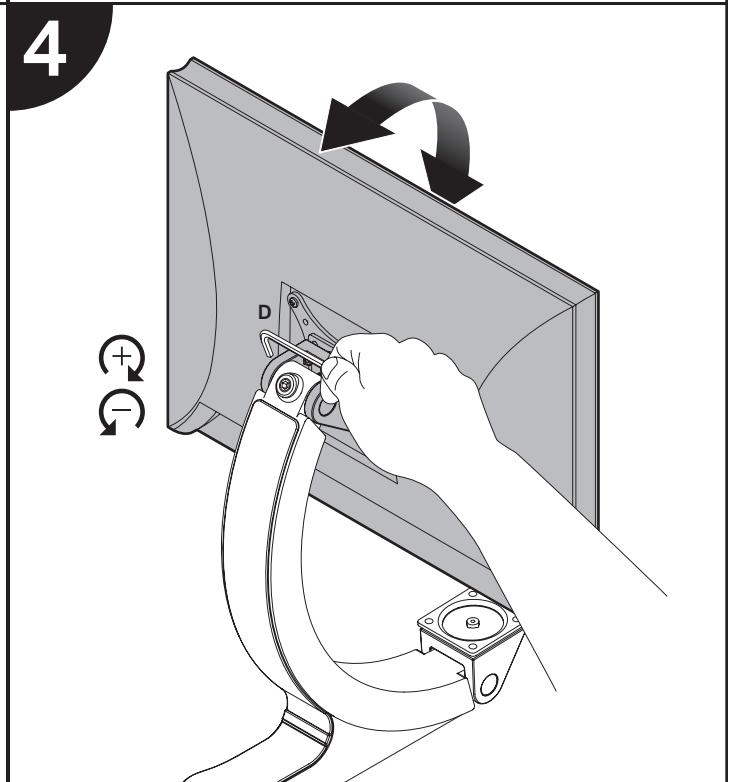
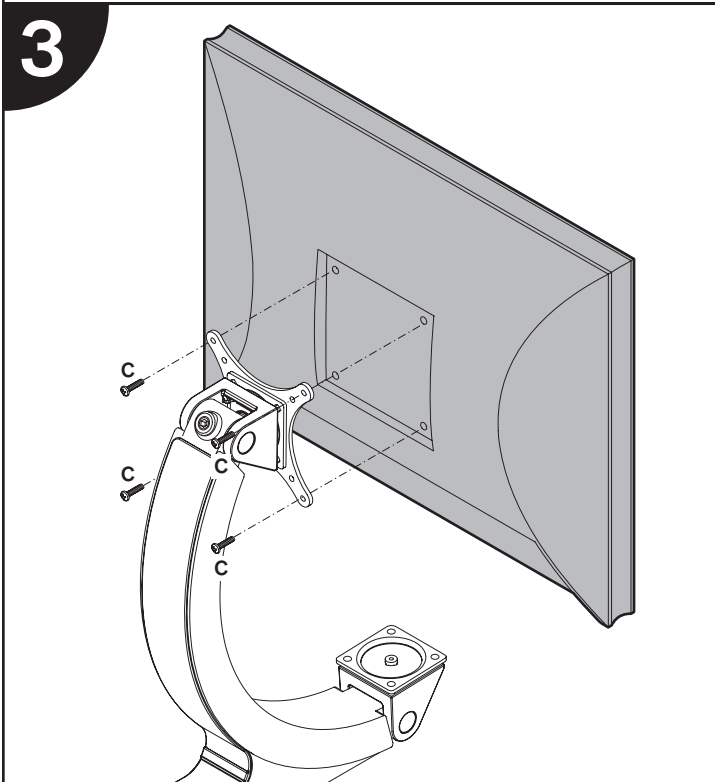
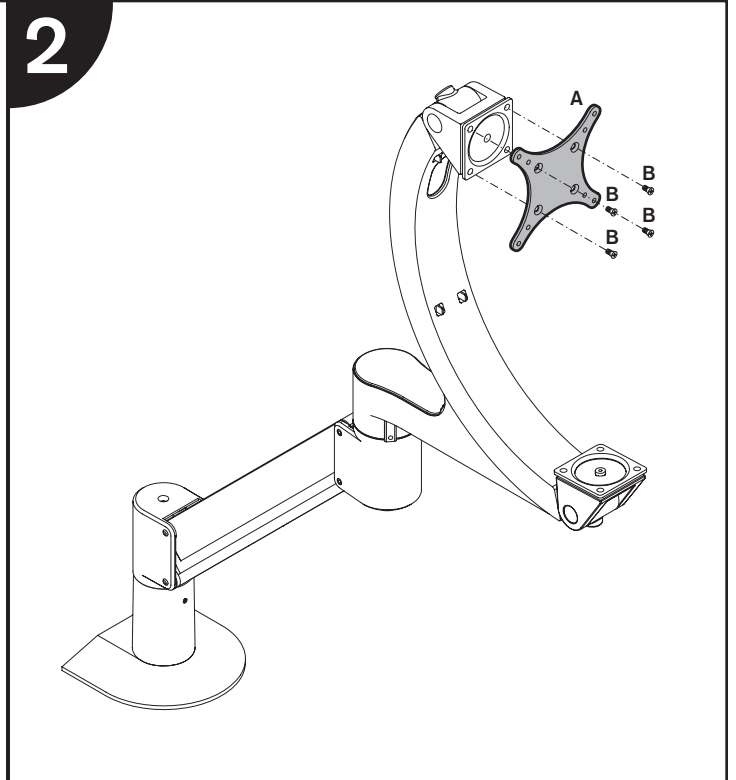
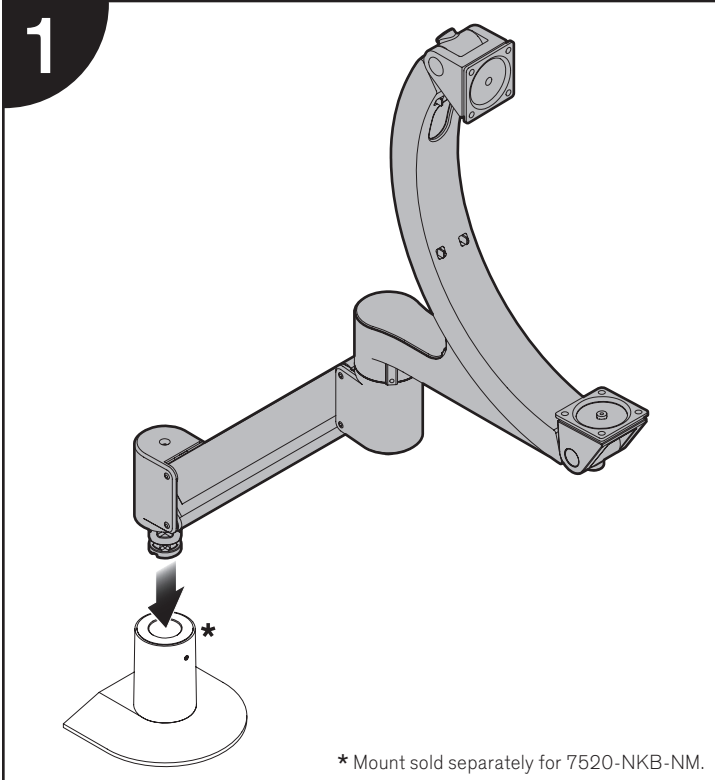
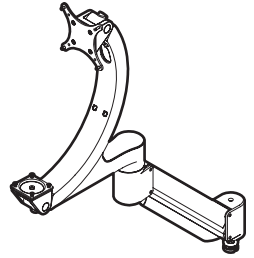
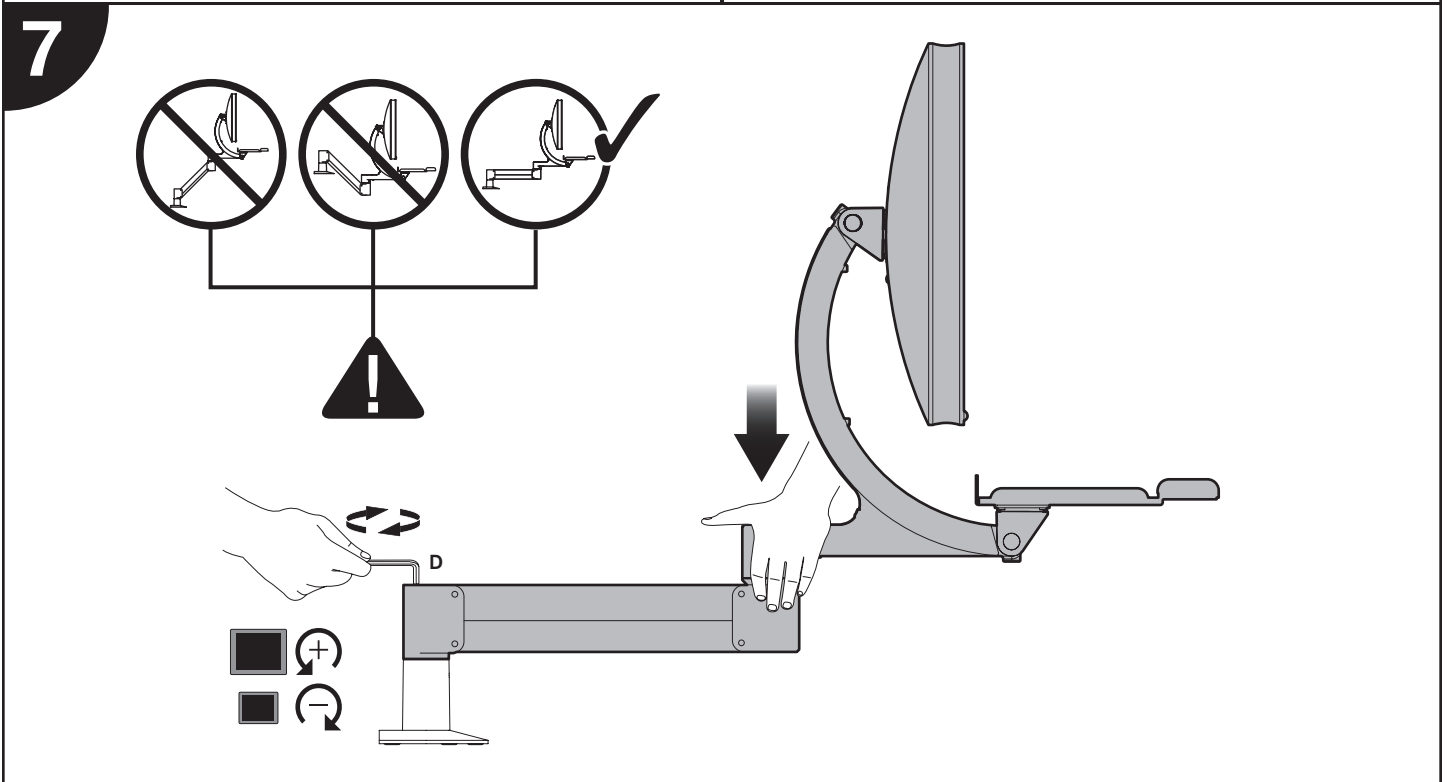
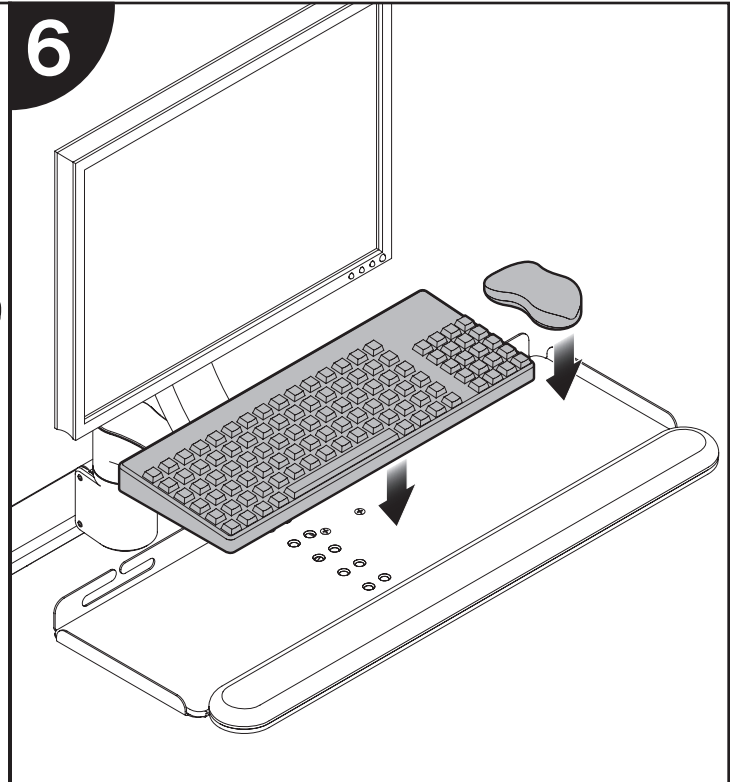
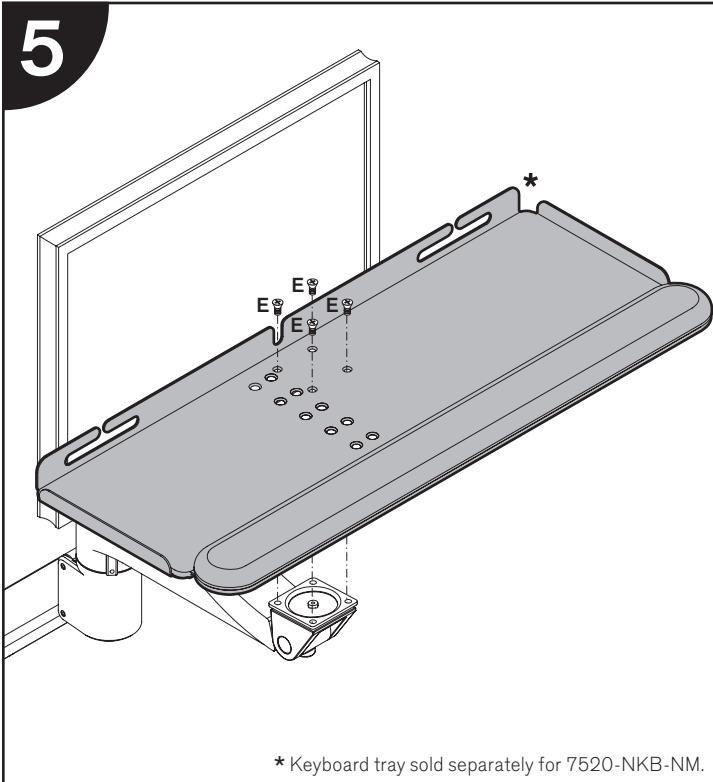
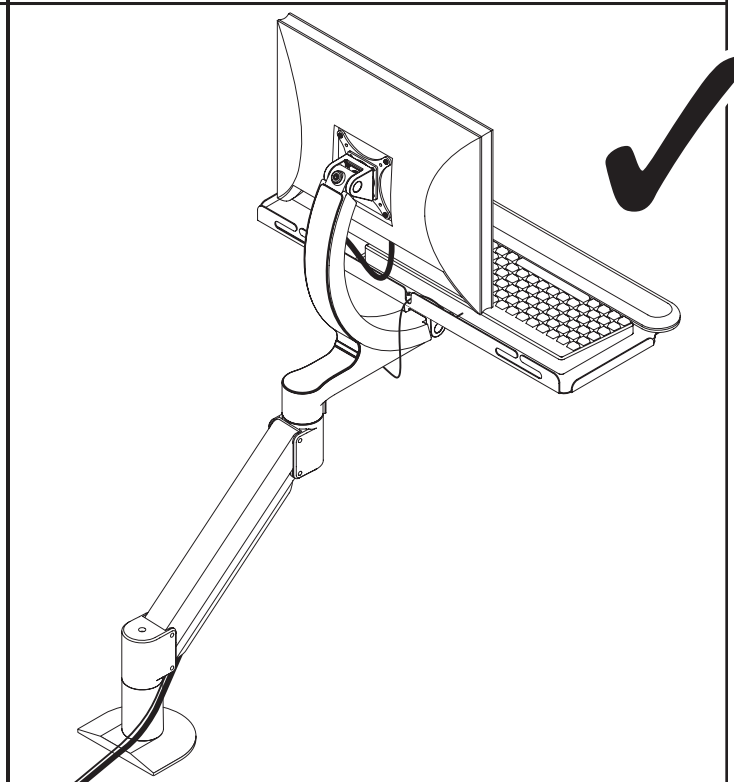
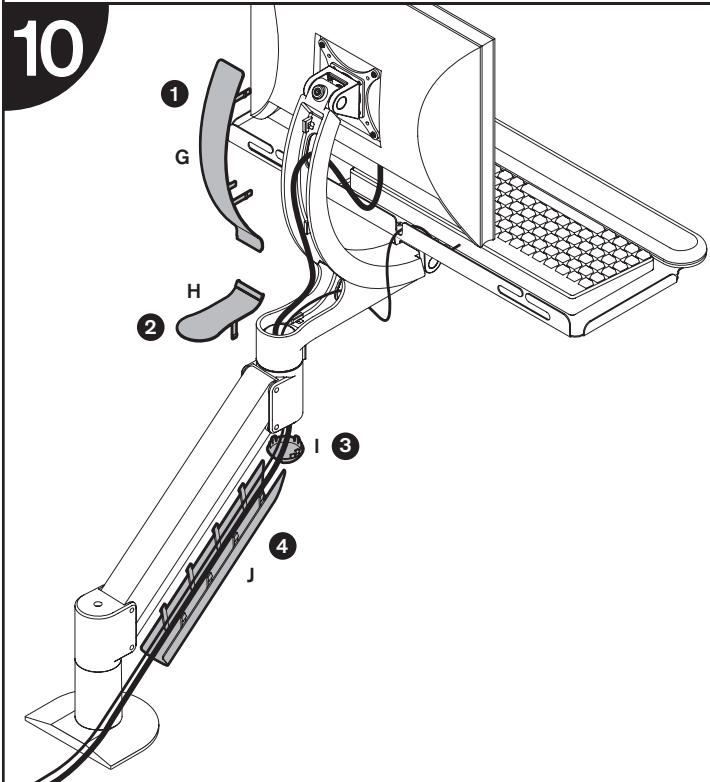
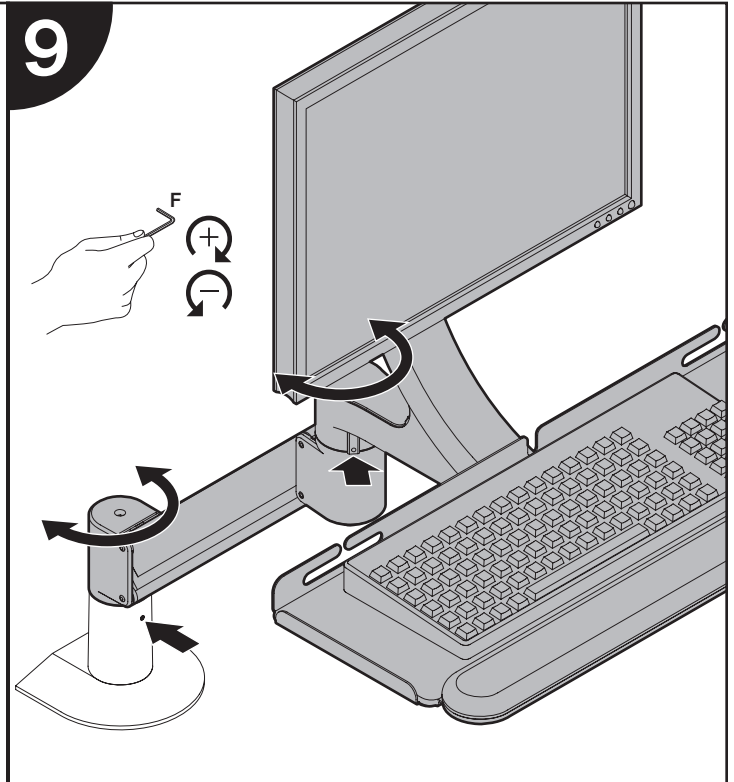
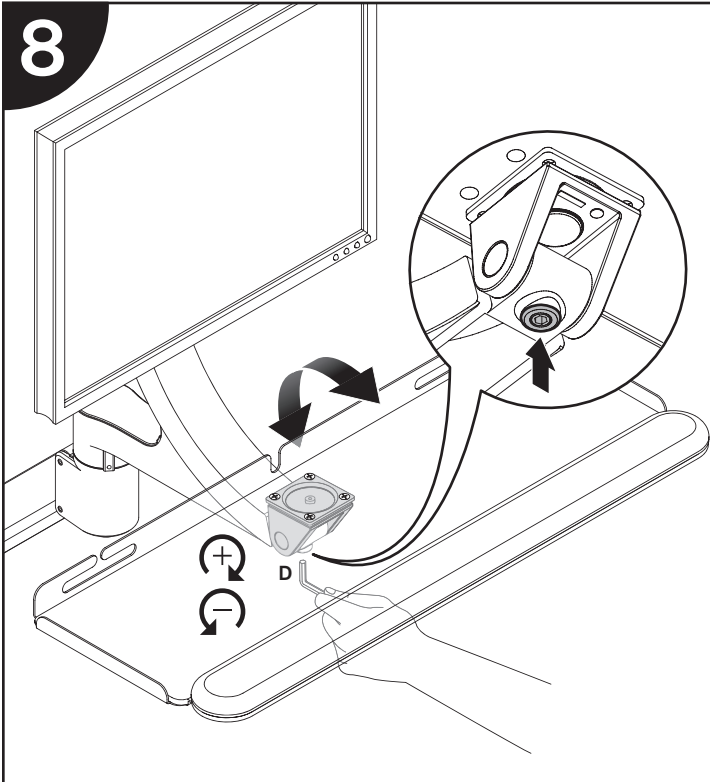


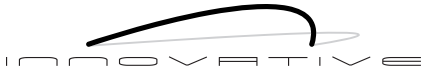
MODEL 7520

Installation Instructions





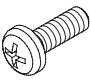
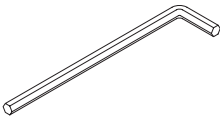




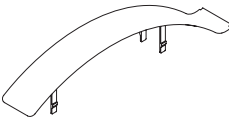
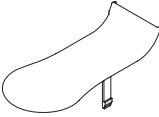

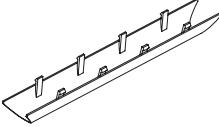




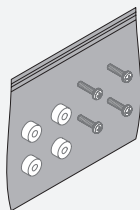
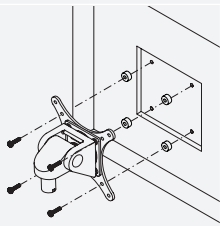
MODEL 7520

Parts List

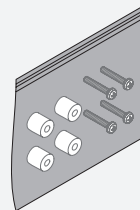
ITEM	DESCRIPTION / PART NO.	QUANTITY
A	 75/100mm VESA® Adapter Plate 105587	1
B	 10-32 x 3/8" Phillips Flat Head Screw 702281	1 (4-pack)
C	 M4 x 12mm Phillips Pan Head Screw 702096	1 (4-pack)
D	 7/32" Allen Wrench 701127	1
E	 10-32 x 3/8" FPHMS w/undercut 409381	1 (4-pack)

ITEM	DESCRIPTION / PART NO.	QUANTITY
F	 3/32" Allen Wrench 700146	1
G	 All-in-One Upper Cover 109714	1
H	 All-in-One Lower Cover 109713	1
I	 Endcap Bumper 702829	1
J	 Cable Cap 109344	1

OPTIONAL SPACER KITS In some cases, the mounting surface on your monitor may be recessed further than permitted by VESA® standards. As a result, a spacer kit may be required.



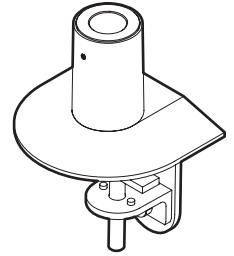
.25" Spacer Hardware Kit
 (4) .25" Spacers
 (4) M4 x 18mm Phillips Pan Head Screws
 Order # P404923-B



.5" Spacer Hardware Kit
 (4) .5" Spacers
 (4) M4 x 25mm Phillips Pan Head Screws
 Order # P404923-C

FLEXMOUNT™ 8318

Installation Instructions



Desk Clamp

- 1
- 2
- 3

Thru-Desk

8318-cup

8318-thru

Wall Mount

- 1
- 2

* Hardware not included.

Reverse Wall Mount

8318-wall

- 1
- 2

* Hardware not included.

Grommet Hole

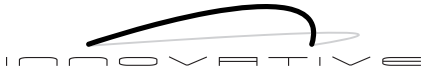
- 1
- 2
- 3

> 2.5"

Side Bolt

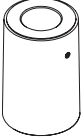
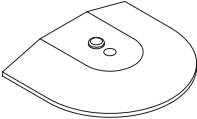
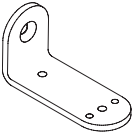
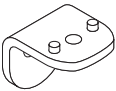
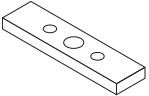
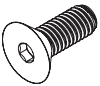
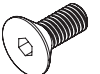
- 1
- 2


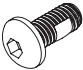
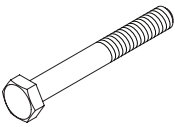
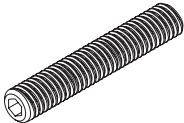
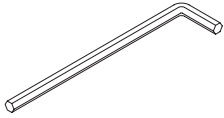

* Hardware not included.



FLEXMOUNT™ 8318

Parts List

ITEM	DESCRIPTION / PART NO.	QUANTITY
A	 Mount Column 407602	1
B	 Base Plate 754220	1
C	 Large "L" Bracket 702828	1
D	 Small "L" Bracket 701116	1
E	 Rectangular Spacer 701544	1
F	 3/8-16 x 1-1/4" Flat Socket Cap Screw 701855	1
G	 3/8-16 x 7/8" Flat Socket Cap Screw 701799	1

ITEM	DESCRIPTION / PART NO.	QUANTITY
H	 3/8-16 Nylon Stop Nut 701418	1
I	 3/8-16 x 7/8" Button Socket Cap Screw 701122	1
J	 3/8-16 x 2-1/2" Hex Head Bolt 700268	1
K	 1/2-13 x 3" Socket Set Screw 701126	1
L	 7/32" Allen Wrench 701127	1
M	 3/32" Allen Wrench 700146	1