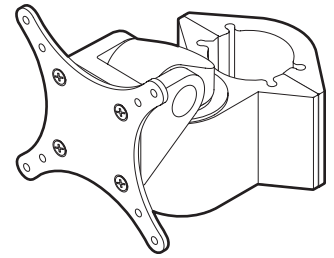


MODEL 9170

Installation Instructions



1

1-1/2"	A
1-3/4"	B
2"	

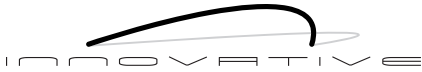
2

3

* Some monitors may require a spacer hardware kit. See page 2 for details.

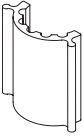
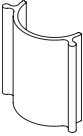
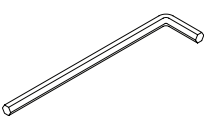
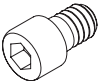
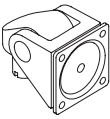
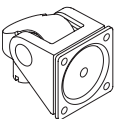
4



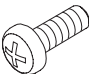
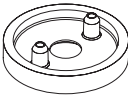

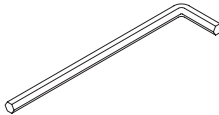
5



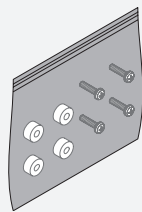
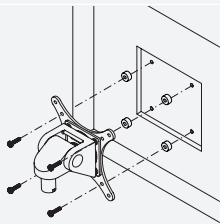
MODEL 9170

Parts List

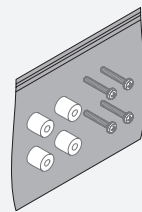
ITEM	DESCRIPTION / PART NO.	QUANTITY
A 	Bushing for 1-1/2" Pole 102658	2
B 	Bushing for 1-3/4" Pole 103106	2
C 	3/16" Allen Wrench 701311	1
D 	1/4-20 x 1/2" Screw 701915	4
E 	Monitor Tilter 405397	1
F 	Spring-Assisted Monitor Tilter (9170-HD only) 407747	1

ITEM	DESCRIPTION / PART NO.	QUANTITY
G 	75/100mm VESA® Adapter Plate 105587	1
H 	10-32 x 3/8" Phillips Flat Head Screw 702281	1 (4 pack)
I 	M4 x 12mm Phillips Pan Head Screw 702096	1 (4 pack)
J 	Dog Washer 105189	1
K 	10-32 x 3/8" FPHMS w/Lock Patch 705198	1
L 	7/32" Allen Wrench 701127	1

OPTIONAL SPACER KITS In some cases, the mounting surface on your monitor may be recessed further than permitted by VESA® standards. As a result, a spacer kit may be required.



.25" Spacer Hardware Kit
 (4) .25" Spacers
 (4) M4 x 18mm Phillips Pan Head Screws
 Order # P404923-B



.5" Spacer Hardware Kit
 (4) .5" Spacers
 (4) M4 x 25mm Phillips Pan Head Screws
 Order # P404923-C