

8326

The 8326 vertical mounting track provides a space-efficient method of elevating your entire computer system. This highly configurable solution can be customized to meet your needs by incorporating flexible monitor arms, keyboard arms, and a CPU holder. All cables are routed through track, and hidden behind a cable channel.

Users can add any of Innovative's monitor arms (specify the arm in addition to the 8326 vertical track mount). To add a keyboard arm, specify our model 7019-NM (7000 series articulating monitor arm with 8339 large keyboard tray), as well as the 8328 vertical track mount. To support a CPU, specify our 8335 CPU holder.

Consult with Innovative at 800.524.2744 for a customized configuration of this product to meet your requirements.



8326 vertical mounting track shown with optional 7000 monitor arm and 7019-NM keyboard arm.

FEATURES

- Mounting system is available in standard lengths of 19"; call for custom lengths.
- Mount contributes to a clean and neat work area.
- Integrated cable management keeps cables organized and out of view.
- Configure with your choice of monitor arm, keyboard arm or CPU holder.
- Mounting system prevents accidents and trip hazards which may damage equipment or harm staff.

AVAILABLE OPTIONS

8326 One size fits all monitors and computer systems

FINISHES

FLAT WHITE | color code: **248**

SILVER | color code: **124**

VISTA BLACK | color code: **104**



Add any Innovative monitor and/or keyboard arm.

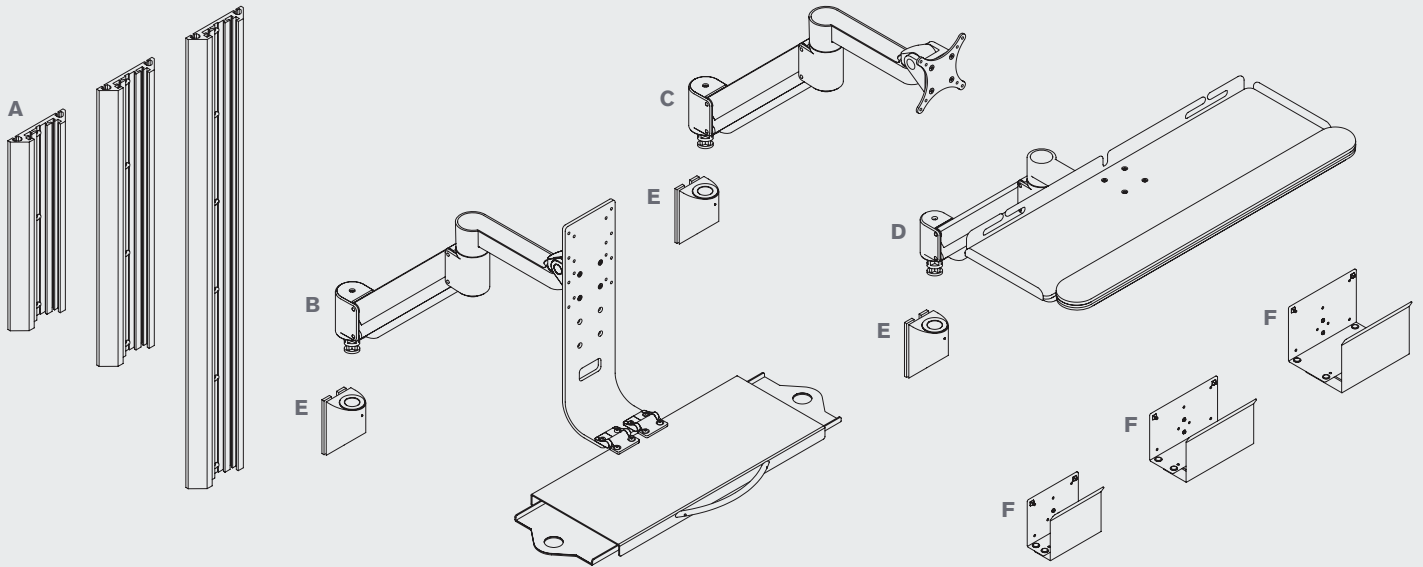


Optional CPU holder elevates your CPU to save space.



Cables are routed through track and hidden behind a cable channel.

VERTICAL TRACK SYSTEM COMPONENTS



A Wall Track

Choose from three lengths:
13", 19" and 31".
(Width of track is 4.4")

Model 8326

B Data Entry Monitor Arm

Supports monitor and keyboard tray.
(Requires track mount)

Model 7509

C Monitor Arm

Add any Innovative monitor arm.
(Requires track mount)

D Keyboard Arm

Accommodates keyboard and mouse.
(Requires track mount)

Model 7019-NM

E Track Mount

Mounts arm to track.

Model 8328

F CPU Mount

Adjustable mount secures CPU.

Model 8335-SM, 2-3" wide

Model 8335-MD, 3-5" wide

Model 8335-LG, 5-7" wide